

Water tight type electric sounder

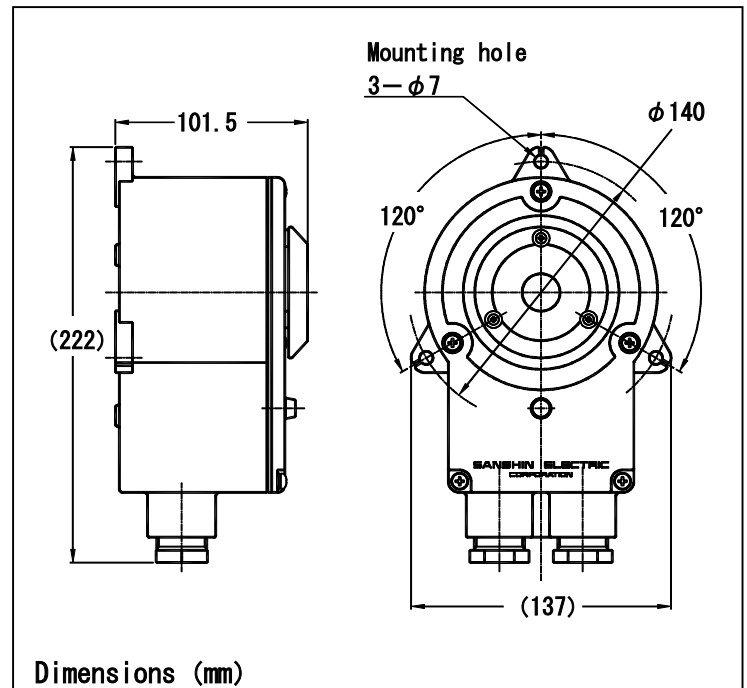
# SANSHIN NONATONE

- Possible to select from nine kinds of tones by changing the inner dip switch.
- Sound level is maximum 105dB/m
- Low consumption current
- Indicator lamp is the high brightness LED.  
Long life time and good visibility



Type		MZLW-DC	MZLW-AC	
Ratings	Voltage (V)	DC24	AC100	AC220
	Current (mA)	270 ※	70 ※	30 ※
	Frequency (Hz)	—	50/60	
Operating voltage (V)		DC20-30	AC100 ±10%	AC220 ±10%
Output sound pressure (A) (dB/m)		103 (MAX 105) ※2		
Degree of protection		IP56		
Weight (g)		700	900	
Operating temperature (°C)		0-45		
Case material		Polycarbonate		
Case color (Munsell No)		5R4/13 / 7.5BG7/2		

Tone	Frequency (Hz)	Repeat rate (sec)
Bell (1)	3200	0.06
Bell (2)	3200-2700 (Sweep bell tone)	0.04
Bell (3)	3200/3000 (Alternate bell tone)	0.08
Buzzer (1)	3000/2400	-
Buzzer (2)	3000/2400	0.6
Buzzer (3)	(Interrupted buzzer tone)	2
Siren (1)	1600-3200	1.75
Siren (2)	1600-2000	0.8
Siren (3)	3200-1200	0.8



※ The current is different according to the tone. The value in the table is when Buzzer(1) is selected.

※2 The output sound pressure is different according to the tone. The value in the table is when Buzzer(1) is selected.