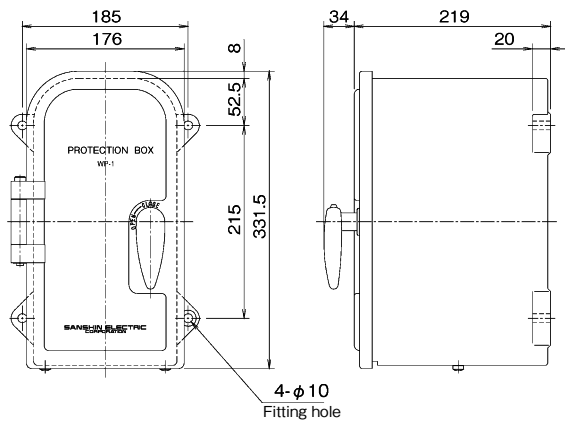


PROTECTION BOXES

TYPE:WP-1 Protection box

Model	WP-1
Material	Premix
Protection degree	IP44
Weight	3.8kg
Code No.	5501C



Wiring Fitting

TYPE:WP-2 Protection box

Model	WP-2
Material	Premix
Protection degree	IP44
Weight	5.6kg
Code No.	5502C

