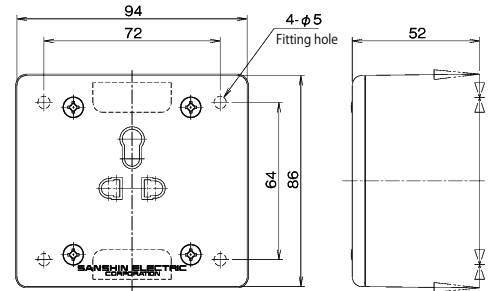


NON-WATERTIGHT MULTI FORM TYPE SOCKET-OUTLETS (JIS / BS TYPE)

TYPE:MSS201 N.W.T. Socket-outlet

Rated voltage	125V 15A/250V 10A BS 250V 5A
Protection degree	IP20
Weight	0.12kg
Code No.	5191C-2

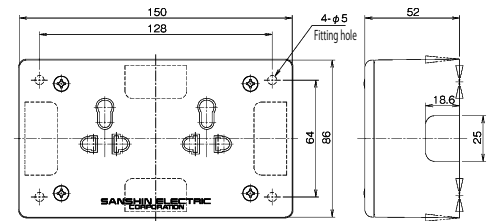
■ Available to use UB2 plug



TYPE:MSS202 N.W.T. socket-outlet (2-Gang)

Rated voltage	125V 15A/250V 10A BS 250V 5A
Protection degree	IP20
Weight	0.38kg
Code No.	5192C-2

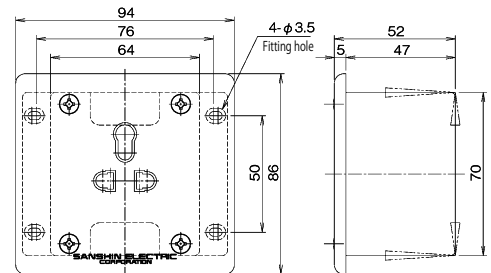
■ Available to use UB2 plug



TYPE:MSF201 N.W.T. flush mounting socket-outlet

Rated voltage	125V 15A/250V 10A BS 250V 5A
Protection degree	IP20
Weight	0.17kg
Code No.	5193C-2

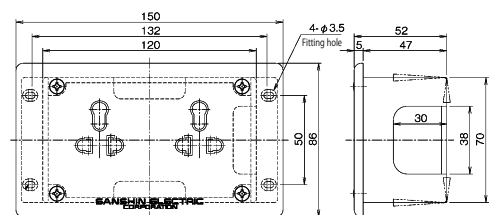
■ Available to use UB2 plug



TYPE:MSF202 N.W.T. flush mounting socket-outlet (2-Gang)

Rated voltage	125V 15A/250V 10A BS 250V 5A
Protection degree	IP20
Weight	0.37kg
Code No.	5194C-2

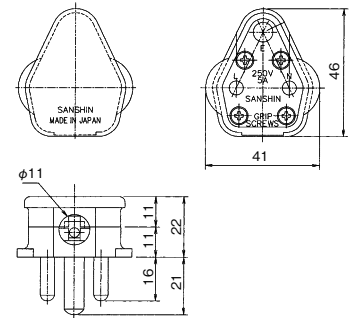
■ Available to use UB2 plug



NON-WATERTIGHT PLUGS AND PUSH BUTTONS (JIS/BS TYPE)

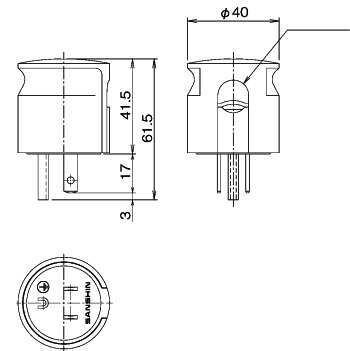
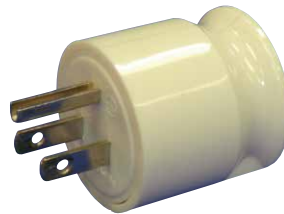
TYPE: BS-B (BS standard) N.W.T. Plug

Rated voltage	BS 250V 5A
Protection degree	IP20
Weight	0.05kg
Code No.	5121C



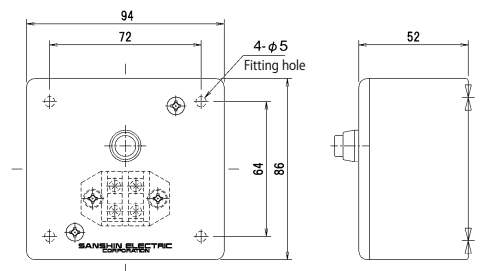
TYPE: UB-2 (JIS standard) N.W.T. Plug

Rated voltage	125V 15A / 250V 10A
Protection degree	IP20
Weight	0.06kg
Code No.	5109C



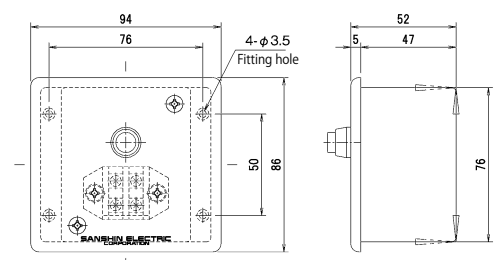
TYPE:PB-S N.W.T. Push button switch

Rated voltage	125V 3A / 250V 1A
Protection degree	IP20
Weight	0.17kg
Code No.	5211C-S



TYPE:PB-F N.W.T. flush mounting push button switch

Rated voltage	125V 3A / 250V 1A
Protection degree	IP20
Weight	0.20kg
Code No.	5211C-F

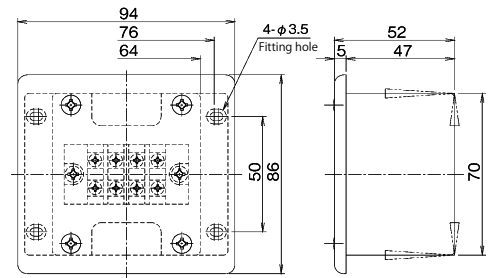


NON-WATERTIGHT MARINE JOINT BOXES (JIS TYPE)

TYPE:4TA-F

N.W.T. flush mounting joint box

Rated voltage	250V 20A(4P)
Protection degree	IP20
Weight	0.18kg
Code No.	5332C-2

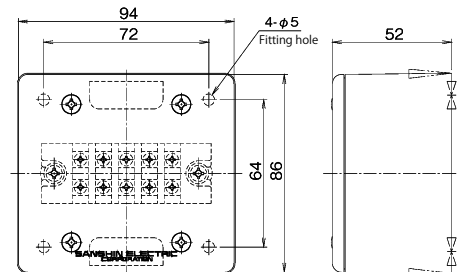


Wiring Fitting

TYPE:5TA-S

N.W.T. joint box

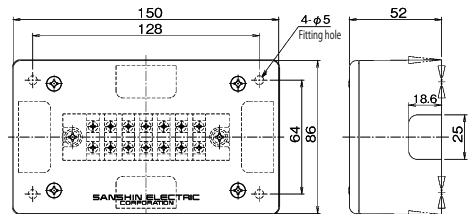
Rated voltage	250V 20A(5P)
Protection degree	IP20
Weight	0.24kg
Code No.	5333C-2S



TYPE:7TA-S

N.W.T. joint box

Rated voltage	250V 20A(7P)
Protection degree	IP20
Weight	0.32kg
Code No.	5334C-2S



TYPE:7TA-F

N.W.T. flush mounting joint box

Rated voltage	250V 20A(7P)
Protection degree	IP20
Weight	0.28kg
Code No.	5334C-2

