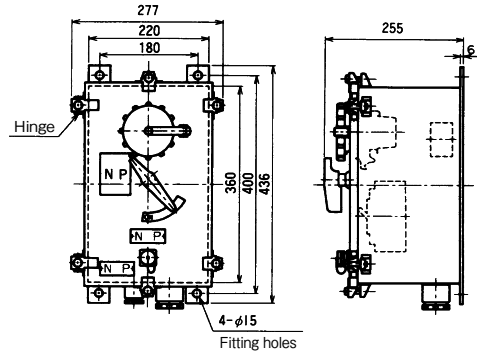
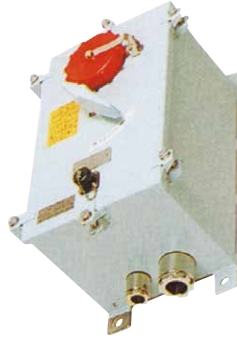


PLUGS AND SOCKET-OUTLET BOXES FOR REF. CONTAINERS (KITAZAWA TYPE)

Socket-outlet 380/440V AC(32A-3h) C.E.E.

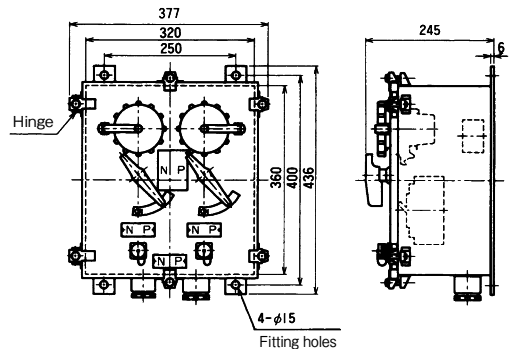
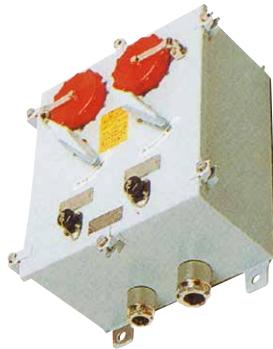
1 GANG

Model	KRT-BE32HM With Monitoring Socket	KRT-BE32H Without Monitoring Socket
Rated	AC380/440V 3 Phase MCCB(Molded Case Circuit Breaker)500V30A	
Material	body / Cover : SUS	
Weight	13kg	
Protection degree	IP56	



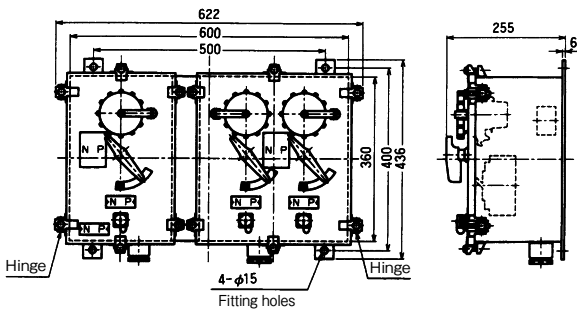
2 GANG

Model	KRT-BE32HM-2 With Monitoring Socket	KRT-BE32H-2 Without Monitoring Socket
Rated	AC380/440V3 Phase MCCB(Molded Case Circuit Breaker)500V30A	
Material	body / Cover : SUS	
Weight	18kg	
Protection degree	IP56	



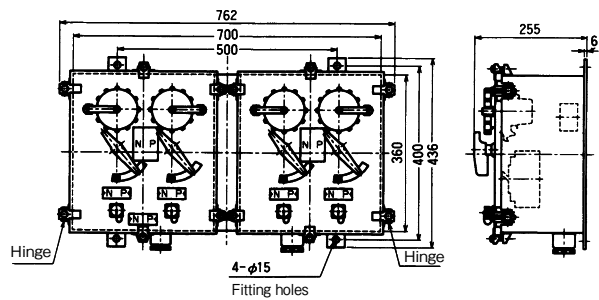
3 GANG

Model	KRT-BE32HM-3 With Monitoring Socket	KRT-BE32H-3 Without Monitoring Socket
Rated	AC380/440V3 Phase MCCB(Molded Case Circuit Breaker)500V30A	
Material	body / Cover : SUS	
Weight	28kg	
Protection degree	IP56	



4 GANG

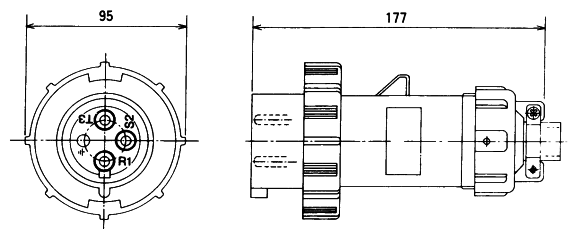
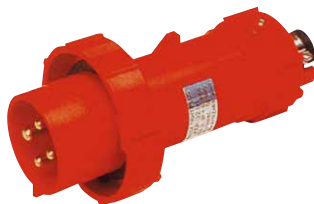
Model	KRT-BE32HM-4 With Monitoring Socket	KRT-BE32H-4 Without Monitoring Socket
Rated	AC380/440V3 Phase MCCB(Molded Case Circuit Breaker)500V30A	
Material	body / Cover : SUS	
Weight	33kg	
Protection degree	IP56	



W.T. Plug

KEP-321H

Rated	AC380/480V32A
Phase	3P+±
Weight	0.4kg



Cable Bushing : Inner Dia. 17mm