

FISHING APPARATUS

Model	The rated voltage(V)	The rated power output(W)	The available depth of the water	Conformity appliance	Total length(mm)	Diameter(mm)	Code No
QWS1-100	100V	1000W	100m	KU-3HS	280	50	A19100110
QWS1-200	200V	1000W	100m	KU-3HS	280	50	A19100111
QWS2-100	100V	2000W	100m	KU-3HS	280	50	A19100112
QWS2-200	200V	2000W	100m	KU-3HS	280	50	A19100113
QWS3-100	100V	3000W	200m	KU-3H/5H	325	60	—
QWS3-200	200V	3000W	200m	KU-3H/5H	325	60	—
QWS5-180	180V	5000W	200m	KU-3H/5H	325	60	—
QWS5-200	200V	5000W	200m	KU-3H/5H	325	60	—

The appearance of the appliance



KU-5H Model

Metal halide ballast



KE-32P Type



KD-32P Type

Characteristic

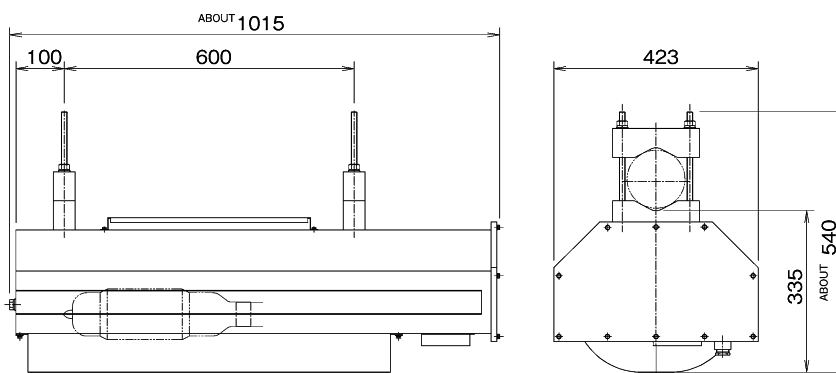
- Downsizing, lightweighting, and protective circuit.
- Make a fan big. Suppressing the temperature rise of a ballast and reduce power loss

Model	Lamps	Input voltage(V)	Input current(A)	Secondary shot circuit current(A)	Width	Height	Depth	Mass	Code No
KA22L	MQ-20A	220/240	9.6A/8.8A×2	9.6A×2	240	200	510	30	A19060013
KE32P	MQ-30A/MW-30G	220/240	13.8A/12.7A×2	15.5A×2	240	200	569	33	A19080056
KD30CP	MQ-30BC/D MW-30G	220	13.7A	17.2A	200	200	429	22	A190800363
KD32P	MQ-30BC/D MW-30G	220	14.5A×2	17.8A×2	350	200	454	37	A190800362
KE34P	MQ-30BC/D/40A MW-40G	220	13.6A/18.5A	15.9A/20.7A	200	200	429	22	A19080057
KT50-W	MW-50W/50S-G	220	23.5A/21.5A	20A	220	223	541	26	A19080024

Light for saury

Characteristic

- Fishing lamp for saury fishing boats which is a metal halide lamp a source of light. Can put on a metal halide slim lamp of 2 - 4KW
- The shutter can control an opening and shutting position for an option by a set of folding doors.
Lamp consumption electricity becomes about half in the shutter shut
- MouthpieceE-39 Main materials use corrosion-resistant aluminum alloy. Main body mass is 22 kg



Recommended lamp model	Lamp wattage	Lamp voltage	Lamp ampere	Power factor (lm)	Lamp efficiency(lm/W)	Code No
MQ20A	1800	230	8.2	207,000	115	68071
MQ30A	2700	230	12.0	310,000	115	
MQ40A	3600	230	16.5	450,000	125	