

FISHING APPARATUS

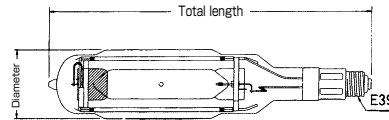
Metal halide·Halogen on board light

Metal halide slim lamp MQ series



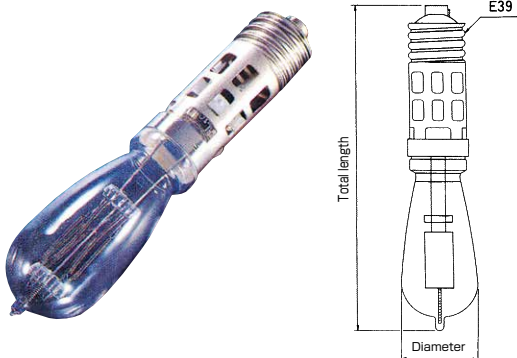
Characteristic

- This does not choose the ballast(Ballast made by another company is available)
- Improved the materials of the outside valve. Downsizing, Light-weight, Hard to be broken
- Ultraviolet rays cut glass



Model	Lamp wattage	Lamp voltage	Lamp ampere	Power factor (lm)	Lamp efficiency(lm/W)	Total length(mm)	Diameter(mm)	Code No
MQ20A	1800	230	8.2	207,000	115	475	90	A19100131
MQ30A	2700	230	12.0	310,000	115	510	105	A191001321
MQ30BC	3000	230	14.0	345,000	115	520	105	A191001335
MQ30D	3000	230	14.0	345,000	115	520	105	A1910013341
MQ40A	3600	230	16.5	450,000	125	520	105	A19100141

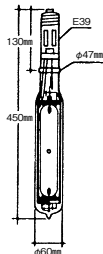
Halogen lamp QF series



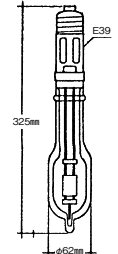
Model	The rated voltage(V)	The rated power output(W)	Total length(mm)	Diameter(mm)	Code No
QF0.5-100	100	500	210	40	A19100013
QF1-100	100	1000	210	45	A19100014
QF1-200	200	1000	210	45	A19100015
QF1.5-100	100	1500	230	54	A19100016
QF1.5-180	180	1500	230	54	A19100017
QF1.5-200	200	1500	230	54	A19100018
QF2-100	100	2000	230	54	A19100019
QF2-160	160	2000	230	54	A19100020
QF2-180	180	2000	230	54	A19100021
QF2-200	200	2000	230	54	A19100022
QF3-180	180	3000	245	58	A19100025
QF3-200	200	3000	245	58	A19100026
QF4-180	180	4000	265	62	A19100028
QF4-200	200	4000	265	62	A19100029
QF5-180	180	5000	280	66	A19100031
QF5-200	200	5000	280	66	A19100032

Metal halide·Halogen underwater light

Metal halide underwater light MW series



Halogen underwater light QW series



Model	Lamp wattage	Lamp voltage	Lamp ampere	Luminescent color	Conformity appliance	Total length(mm)	Diameter(mm)	Code No
MW20-G/2	1800	230	7.8	Green*	KU-5M	380	50	A190300051
MW25-G/2	2250	130	18.0	Green*	KU-5M	380	50	A190300071
MW-30G/2	2700	230	12.0	Green*	KU-5M	380	50	A1903000821
MW-40G	3600	230	16.0	Green*	KU-5MB	450	60	A19030009
MW-50G	4500	290	16.0	Green*	KU-5MB	510	60	A19030010
MW50S-G	4500	290	16.0	Green*	KU-5MB	450	60	A19030011

*Luminescent color is green is standard. And white is possible

FISHING APPARATUS

Model	The rated voltage(V)	The rated power output(W)	The available depth of the water	Conformity appliance	Total length(mm)	Diameter(mm)	Code No
QWS1-100	100V	1000W	100m	KU-3HS	280	50	A19100110
QWS1-200	200V	1000W	100m	KU-3HS	280	50	A19100111
QWS2-100	100V	2000W	100m	KU-3HS	280	50	A19100112
QWS2-200	200V	2000W	100m	KU-3HS	280	50	A19100113
QWS3-100	100V	3000W	200m	KU-3H/5H	325	60	—
QWS3-200	200V	3000W	200m	KU-3H/5H	325	60	—
QWS5-180	180V	5000W	200m	KU-3H/5H	325	60	—
QWS5-200	200V	5000W	200m	KU-3H/5H	325	60	—

The appearance of the appliance



KU-5H Model

Metal halide ballast



KE-32P Type



KD-32P Type

Characteristic

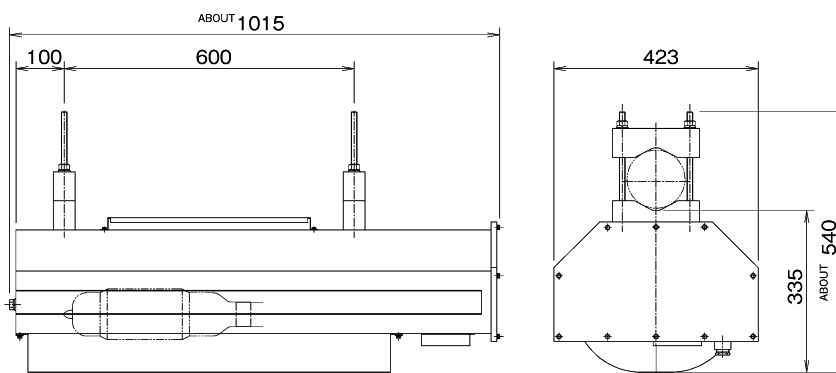
- Downsizing, lightweighting, and protective circuit.
- Make a fan big. Suppressing the temperature rise of a ballast and reduce power loss

Model	Lamps	Input voltage(V)	Input current(A)	Secondary shot circuit current(A)	Width	Height	Depth	Mass	Code No
KA22L	MQ-20A	220/240	9.6A/8.8A×2	9.6A×2	240	200	510	30	A19060013
KE32P	MQ-30A/MW-30G	220/240	13.8A/12.7A×2	15.5A×2	240	200	569	33	A19080056
KD30CP	MQ-30BC/D MW-30G	220	13.7A	17.2A	200	200	429	22	A190800363
KD32P	MQ-30BC/D MW-30G	220	14.5A×2	17.8A×2	350	200	454	37	A190800362
KE34P	MQ-30BC/D/40A MW-40G	220	13.6A/18.5A	15.9A/20.7A	200	200	429	22	A19080057
KT50-W	MW-50W/50S-G	220	23.5A/21.5A	20A	220	223	541	26	A19080024

Light for saury

Characteristic

- Fishing lamp for saury fishing boats which is a metal halide lamp a source of light. Can put on a metal halide slim lamp of 2 - 4KW
- The shutter can control an opening and shutting position for an option by a set of folding doors. Lamp consumption electricity becomes about half in the shutter shut
- MouthpieceE-39 Main materials use corrosion-resistant aluminum alloy. Main body mass is 22 kg



Recommended lamp model	Lamp wattage	Lamp voltage	Lamp ampere	Power factor (lm)	Lamp efficiency(lm/W)	Code No
MQ20A	1800	230	8.2	207,000	115	68071
MQ30A	2700	230	12.0	310,000	115	
MQ40A	3600	230	16.5	450,000	125	