

GEAR PUMP With MOTOR

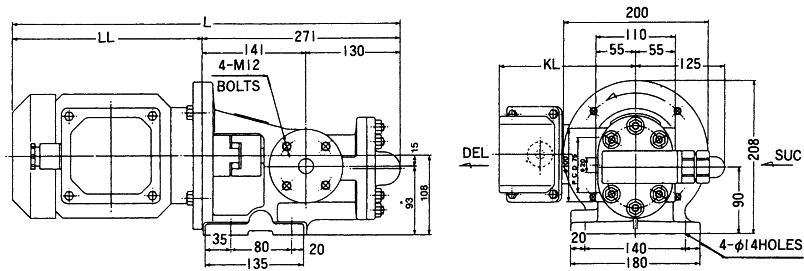
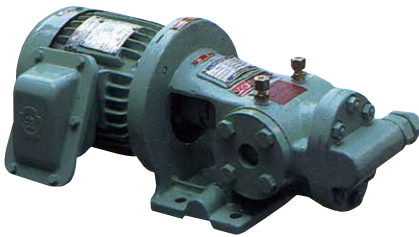
TYPE :MGR20

Small-sized · Light weight · Small capacity sized
Reverse Direction of the bubble, then the change of the delivery direction and suction are possible.

60Hz

Main purpose

- Fuel oil Lubricating oil
- Supply pump
- Service pump



Model	Diameter Φd(mm)	Motor			Discharge(m ³ /h)					Dimension (mm)			Weight (kg)
		kW	Pole number	min ⁻¹	Pressure(MPa)					LL	L	KL	
					0.1	0.2	0.3	0.34	0.4				
MGR20A	20	0.4	6	1200	500	485	470	460	425	270	541	175	38
MGR20B		0.4			910	890	870	860	—	270	541	175	38
		0.75	910	890	870	860	850	322	593	190	45		
MGR20C		0.4	4	1800	1250	1230	1220	1210	—	248	519	165	34
		0.75			1250	1230	1220	1210	1200	270	541	175	38
MGR20D		1.5	1580	1550	1540	1530	—	270	541	175	38		
MGR20E	1.5	1580	1550	1540	1530	1510	322	593	190	45			
MGR20F	1.5	2395	2375	2355	2330	2300	322	593	190	45			
		3020	3000	2990	2980	—	322	593	190	45			

Kinematic viscosity (Discharge of in case of 150 - 200cSt)

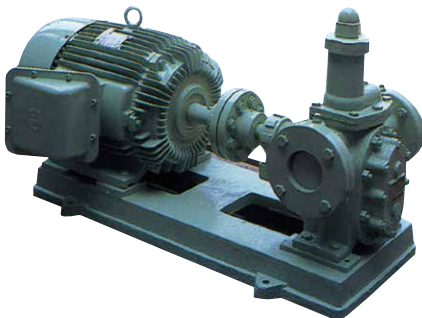
GEAR PUMP

TYPE :GRD

- Fuel oil Lubricating oil
- Supply pump
- Service pump
- Transfer pump

60Hz

Standard shaft seal is Ground packing types.



External dimension is next page.

Model	Diameter Φd(mm)	Speed of revolution (min ⁻¹)	Pressure(MPa)							
			0.1		0.2		0.3		0.5	
			m ³ /h	kW	m ³ /h	kW	m ³ /h	kW	m ³ /h	kW
GRDA15	15	1200	0.7	0.4	0.7	0.4	0.6	0.75	0.6	0.75
		1800	1.2	0.4	1.2	0.4	1.1	0.75	1.0	1.5
GRD20S	20	1800	1.8	0.4	1.8	0.75	1.7	0.75	1.6	1.5
GRD20L		1200	1.8	0.4	1.8	0.75	1.6	1.5	1.5	1.5
GRD25S	25	1800	2.5	0.75	2.5	0.75	2.3	1.5	2.2	1.5
		1200	2.0	0.75	2.0	0.75	1.8	1.5	1.5	1.5
GRD25L	25	1800	3.2	0.75	3.2	1.5	2.8	1.5	2.6	2.2
		1200	2.7	0.75	2.7	1.5	2.5	1.5	2.3	2.2
GRD32S	32	1800	4.2	1.5	4.2	1.5	4.0	2.2	3.8	3.7
		1200	3.5	0.75	3.5	1.5	3.3	1.5	3.1	2.2
GRD32L	32	1800	5.5	1.5	5.5	1.5	5.3	2.2	5.0	3.7
		1200	4.0	0.75	4.0	1.5	3.8	2.2	3.6	2.2
GRD40S	40	1800	6.2	1.5	6.2	1.5	6.0	2.2	5.8	3.7
		1200	5.0	1.5	5.0	1.5	4.8	2.2	4.7	3.7
GRD40L	40	1800	7.8	1.5	7.8	2.2	7.8	3.7	7.3	3.7
		1200	6.0	1.5	6.0	1.5	5.7	2.2	5.5	3.7
GRD40K		1200	7.2	1.5	7.2	2.2	7.0	3.7	6.8	3.7
GRD50S	50	1200	8.0	1.5	8.0	2.2	7.8	3.7	7.6	5.5
GRD50L		1200	10.5	2.2	10.5	3.7	10.2	3.7	9.9	5.5
GRD65A	65	1200	14.5	3.7	14.5	3.7	14.0	5.5	13.8	5.5
GRD65B		1200	17.0	3.7	17.0	3.7	16.5	5.5	16.2	7.5
GRD65C		1200	19.5	3.7	19.0	5.5	18.5	5.5	18.0	7.5
GRD65D		1200	23.0	5.5	23.0	5.5	22.0	7.5	20.0	11.0
GRD80S	80	1200	24.0	5.5	24.0	5.5	23.0	7.5	22.0	11.0
GRD80L		1200	28.0	5.5	28.0	7.5	27.0	7.5	26.0	11.0
GRD80K		1200	30.0	7.5	30.0	7.5	28.0	11.0	27.0	11.0
GRD100A		100	1200	35.0	7.5	34.0	11.0	33.0	11.0	32.0
GRD100S	1200		39.0	7.5	38.0	11.0	37.0	15.0	36.0	15.0
GRD100L	1200		54.0	11.0	54.0	11.0	53.0	15.0	52.5	18.5

Kinematic viscosity (Discharge of in case of 150 - 200cSt)

GEAR PUMP

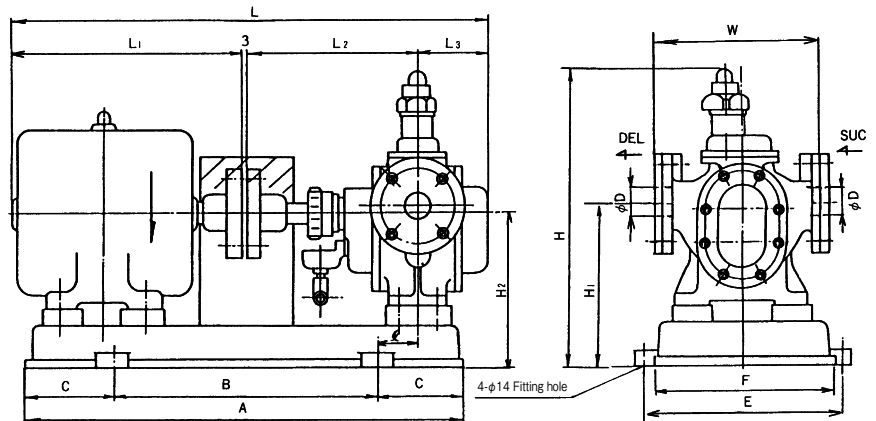
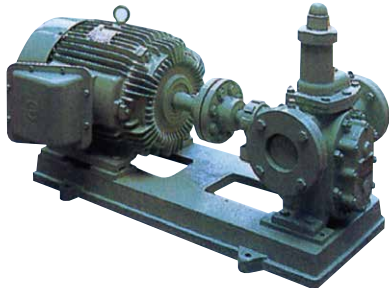
TYPE :GHP /GHH 60Hz

■ Lubricating oil pump

Pressure 1MPa - 2MPa, choose the GHP type.

Pressure 1.5MPa - 2.5MPa, choose the GHH type.

type.



Model	Diameter Φd(mm)	Pressure(MPa)					
		1		1.5		2	
		m ³ /h	kW	m ³ /h	kW	m ³ /h	kW
GHP32A	32	3.4	2.2	3.2	3.7	3.0	3.7
GHP32B		4.0	3.7	3.8	3.7	3.6	5.5
GHP40A	40	4.8	3.7	4.5	5.5	4.2	5.5
GHP40B		5.4	5.5	5.2	5.5	4.9	7.5
GHP50A	50	8.0	7.5	7.8	7.5	7.2	11.0
GHP50B		12	7.5	11.0	11.0	10.5	15.0

Model	Diameter Φd(mm)	Pressure(MPa)					
		1		2		2.5	
		m ³ /h	kW	m ³ /h	kW	m ³ /h	kW
GHH32B	32	4.0	5.5	3.7	5.5	3.4	5.5
GHH50Z	50	7.0	7.5	6.7	7.5	6.2	7.5
GHH50A		8.0	11.0	7.4	11.0	6.8	11.0

Kinematic viscosity (Discharge of in case of 150 - 200cSt)

Model	Diameter Φd(mm)	Motor		Dimension (mm)														Weight (kg)
		kW	Pole number	L	L1	L2	L3	I	A	B	C	E	F	H	h1	h2	W	
GHP32A	32	2.2	6	742	392	250	97	30	670	410	130	320	280	467	225	205	240	108
		3.7		800	450	250	97	10	700	480	110	350	330	467	225	205	240	130
GHP32B	3.7	800		450	250	97	10	700	480	110	350	330	467	225	205	240	130	
	5.5	838		488	250	97	40	770	470	150	350	320	472	230	210	240	151	
GHP40A	40	3.7		823	450	260	110	36	700	480	110	350	330	464	222	202	240	142
		5.5		861	488	260	110	60	700	480	110	350	330	464	222	202	240	169
GHP40B	40	5.5		861	488	260	110	60	700	480	110	350	330	464	222	202	240	164
		7.5		977	604	260	110	95	800	500	150	360	345	497	255	235	240	225
GHP50A	50	7.5		957	604	255	95	35	860	540	160	380	355	563	295	270	320	228
		11.0		1001	648	255	95	20	940	640	150	460	430	568	300	275	320	277
GHP50B	50	7.5	957	604	255	95	35	860	540	160	380	355	563	295	270	320	228	
		11.0	1001	648	255	95	20	940	640	150	460	430	568	300	275	320	277	
		15.0	1025	672	255	95	20	940	640	150	460	430	568	300	275	320	356	
GHH32B	32	5.5	6	844	488	265	88	50	770	470	150	350	320	472	230	210	240	155
		7.5		960	604	265	88	55	860	540	160	410	385	407	265	245	240	230
GHH50Z	50	7.5		1018	604	290	121	15	910	680	115	365	340	558	290	265	320	250
		11.0		1062	648	290	121	45	940	640	150	460	430	568	300	275	320	282

*1 Flange dimensions depend on JIS B 2210-20K

*2 Dimensions and the weight show a case of TAIYO electric equipment motor TIF form