

SELF PRIMING CENTRIFUGAL PUMP

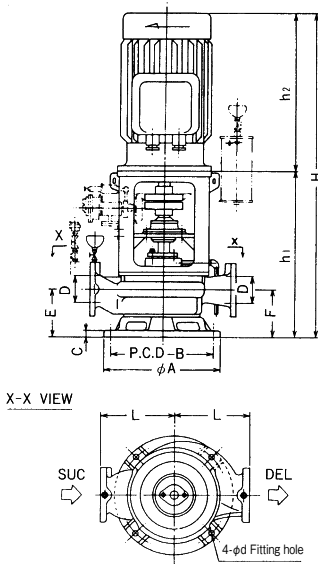
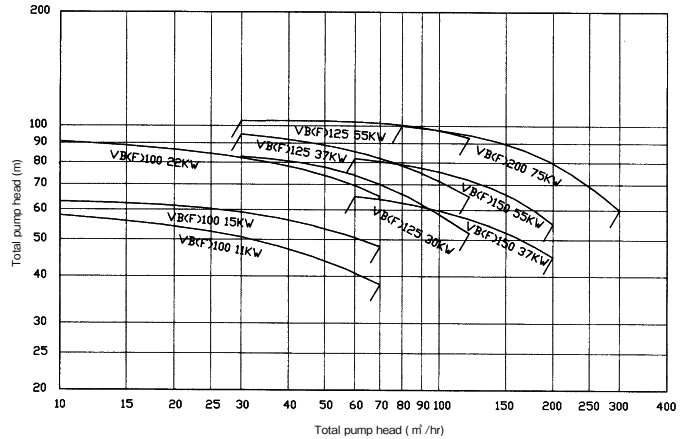
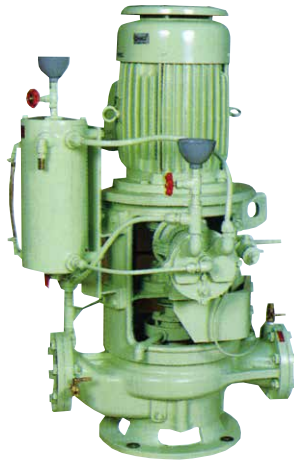
TYPE : VS(F) (Low)
 TYPE : VH(F) (Middle)
 TYPE : VB(F) (High)

Main purpose

- Bilge pump
- Pump for water used for various chores
- Fire pump
- Ballast pump
- Cooling water pump

60Hz

We are producing it with vacuum pump.

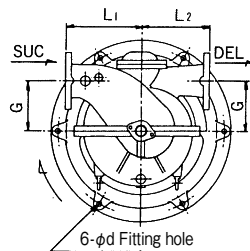
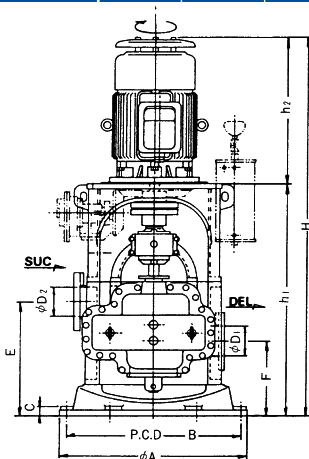


Model	Diameter φd(mm)	Motor		Dimension (mm)										Weight(kg)			
		kW	Pole number	A	B	C	E	F	H	h1	h2	L	D	Without F	With F		
VS(F) 100	100	5.5	4	360	320	19	170	170	1067	625	442	270	18	184	224		
		7.5		360	320	19	170	170	1085	625	460	270	18	200	240		
		11.0		360	320	19	170	170	1180	625	555	270	18	233	273		
VS(F) 125	125	7.5		540	490	22	220	220	1205	745	460	320	20	351	391		
		11.0		540	490	22	220	220	1300	745	555	320	20	384	424		
		15.0		540	490	22	220	220	1345	745	600	320	20	415	455		
VS(F) 150	150	15.0		540	490	22	215	235	1365	765	600	340	20	405	445		
		18.5		540	490	22	215	235	1385	765	620	340	20	437	477		
		22.0		540	490	22	215	235	1385	765	620	340	20	450	490		
VS(F) 200	200	22.0		540	490	22	269	269	1419	799	620	420	20	480	520		
		VH(F) 100		100	7.5	540	490	22	185	185	1115	655	460	310	20	350	390
					11.0	540	490	22	185	185	1210	655	555	310	20	385	425
15.0	540		490		22	185	185	1255	655	600	310	20	396	434			
VH(F) 125	125	15.0	540	490	22	205	215	1344	744	600	350	20	470	511			
		18.5	540	490	22	205	215	1364	744	620	350	20	470	520			
		22.0	540	490	22	205	215	1364	744	620	350	20	503	543			
VH(F) 150	150	22.0	540	490	22	215	235	1385	765	620	375	20	530	570			

*1 Flange dimensions depend on JIS B 2210-5K

*2 Dimensions and the weight show a case of TAIYO electric equipment motor TIF form

Model	Diameter φd(mm)	Motor		Dimension (mm)											Weight(kg)		
		kW	Pole number	A	B	C	d	E	F	G	H	h1	h2	l1	l2	Without F	With F
VB(F) 100	100	11.0	4	700	650	35	22	400	270	200	1425	870	555	300	270	458	498
		15.0		700	650	35	22	400	270	200	1470	870	600	300	270	481	521
		18.5		700	650	35	22	400	270	200	1490	870	620	300	270	498	538
		22.0		700	650	35	22	400	270	200	1490	870	620	300	270	530	570
VB(F) 125	125	22.0	800	740	40	22	495	325	220	1545	1005	620	340	300	650	690	



11~22kW Installation dimensions