

SELF PRIMING CENTRIFUGAL PUMP

TYPE : ML (Low)

TYPE : MH / SMH (High)

60Hz

Main purpose

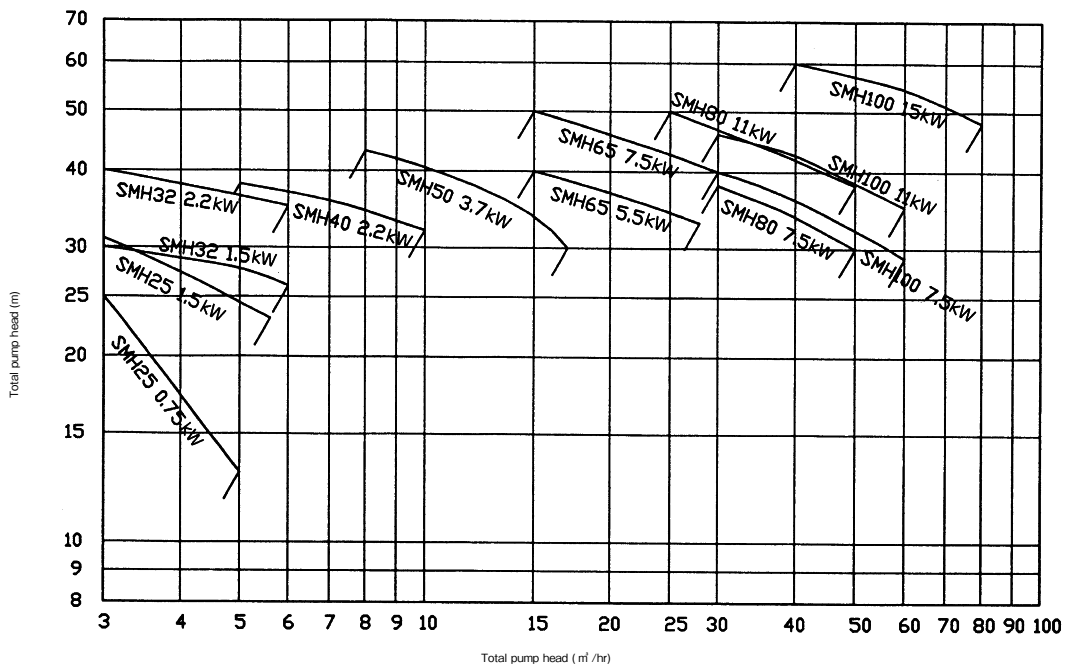
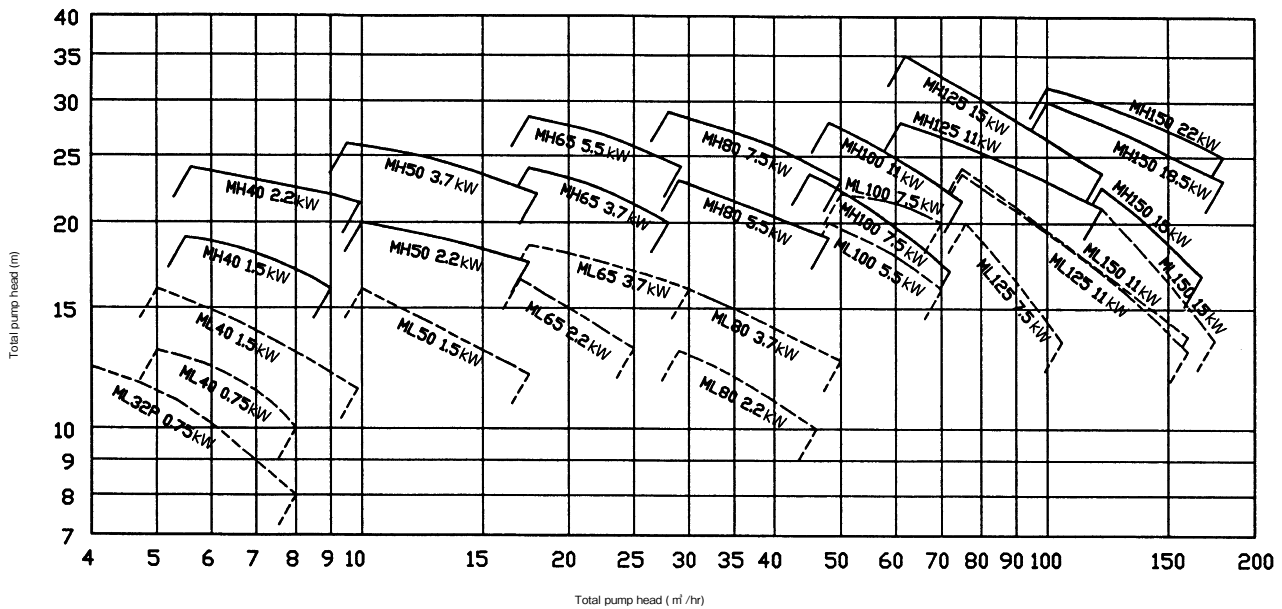
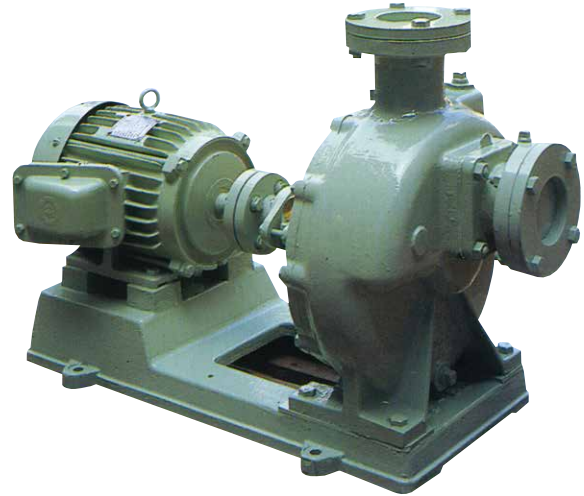
- Bilge pump
- Pump for water used for various chores
- Fire pump
- Ballast pump

[Standard shaft seal method]

M L : It is a mechanical seal type until diameter 80mm.
Ground packing types diameter is 100mm or more.

M H : Mechanical seal type

SMH : It is a mechanical seal type until diameter 50mm.
Ground packing types diameter is 65mm or more.

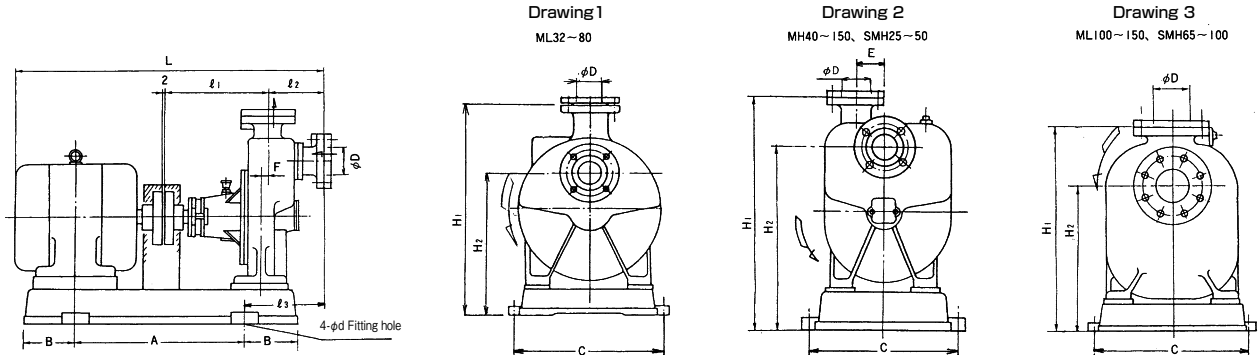


SELF PRIMING CENTRIFUGAL PUMP

TYPE : ML (Low)

TYPE : MH / SMH (High)

60Hz



| Model | Diameter Φd(mm) | Motor | | Dimension (mm) | | | | | | | | | | | | Weight (kg) | Drawing |
|--------|--------------------|-------|------------|----------------|-----|-----|-----|-----|-----|----|-------|-------|-----|-----|-----|----------------|---------|
| | | kW | Polenumber | A | B | C | d | H1 | H2 | E | F | L | I1 | I2 | I3 | | |
| ML32P | 32 | 0.4 | 4 | 400 | 100 | 325 | 14 | 375 | 265 | — | — | 638 | 245 | 140 | 140 | 65 | 1 |
| | | 0.75 | | 400 | 100 | 325 | 14 | 375 | 265 | — | — | 670 | 245 | 140 | 140 | 67 | 1 |
| ML40 | 40 | 0.75 | | 380 | 110 | 310 | 14 | 410 | 265 | — | 10 | 667 | 230 | 152 | 157 | 67 | 1 |
| | | 1.5 | | 380 | 110 | 310 | 14 | 410 | 265 | — | 10 | 716.5 | 230 | 152 | 168 | 82 | 1 |
| ML50 | 50 | 1.5 | | 380 | 110 | 310 | 14 | 415 | 270 | — | 10 | 724.5 | 230 | 160 | 178 | 88 | 1 |
| | | 2.2 | | 400 | 115 | 350 | 14 | 435 | 290 | — | 10 | 767 | 230 | 160 | 188 | 112 | 1 |
| ML65 | 65 | 2.2 | | 395 | 120 | 325 | 14 | 500 | 308 | — | 10 | 787 | 240 | 170 | 202 | 115 | 1 |
| | | 3.7 | | 395 | 120 | 325 | 14 | 500 | 308 | — | 10 | 804 | 240 | 170 | 205 | 131 | 1 |
| ML80 | 80 | 2.2 | | 395 | 120 | 325 | 14 | 500 | 305 | — | 10 | 797 | 240 | 180 | 215 | 134 | 1 |
| | | 3.7 | | 395 | 120 | 325 | 14 | 500 | 305 | — | 10 | 814 | 240 | 180 | 215 | 150 | 1 |
| ML100 | 100 | 5.5 | | 540 | 160 | 410 | 14 | 540 | 389 | — | — | 1049 | 407 | 190 | 252 | 205 | 3 |
| | | 7.5 | | 640 | 160 | 415 | 18 | 540 | 389 | — | — | 1087 | 407 | 190 | 224 | 227 | 3 |
| ML125 | 125 | 7.5 | | 640 | 150 | 460 | 18 | 600 | 430 | — | — | 1168 | 448 | 230 | 317 | 262 | 3 |
| | | 11.0 | | 640 | 200 | 440 | 18 | 600 | 430 | — | — | 1284 | 448 | 230 | 317 | 327 | 3 |
| ML150 | 150 | 11.0 | | 640 | 200 | 440 | 18 | 715 | 420 | — | — | 1284 | 448 | 230 | 317 | 327 | 3 |
| | | 15.0 | | 710 | 200 | 460 | 18 | 715 | 420 | — | — | 1284 | 448 | 230 | 306 | 330 | 3 |
| MH40 | 40 | 1.5 | 380 | 110 | 310 | 14 | 460 | 345 | 75 | 25 | 721.5 | 267 | 120 | 175 | 86 | 2 | |
| | | 2.2 | 400 | 110 | 285 | 14 | 460 | 345 | 75 | 25 | 764 | 267 | 120 | 170 | 92 | 2 | |
| MH50 | 50 | 2.2 | 395 | 120 | 325 | 14 | 495 | 370 | 80 | 25 | 779 | 267 | 135 | 190 | 106 | 2 | |
| | | 3.7 | 395 | 120 | 325 | 14 | 500 | 375 | 80 | 25 | 796 | 267 | 135 | 197 | 123 | 2 | |
| MH65 | 65 | 3.7 | 460 | 120 | 365 | 14 | 550 | 405 | 95 | 9 | 869 | 305 | 170 | 205 | 140 | 2 | |
| | | 5.5 | 525 | 130 | 390 | 14 | 555 | 410 | 95 | 9 | 927 | 305 | 170 | 193 | 178 | 2 | |
| MH80 | 80 | 5.5 | 525 | 130 | 390 | 14 | 575 | 415 | 85 | 19 | 942 | 315 | 175 | 208 | 180 | 2 | |
| | | 7.5 | 525 | 130 | 390 | 14 | 575 | 415 | 85 | 19 | 980 | 315 | 175 | 227 | 190 | 2 | |
| MH100 | 100 | 7.5 | 525 | 130 | 390 | 14 | 575 | 415 | 85 | 29 | 982 | 325 | 167 | 229 | 190 | 2 | |
| | | 11.0 | 560 | 150 | 415 | 14 | 595 | 435 | 85 | 29 | 1098 | 325 | 167 | 249 | 270 | 2 | |
| MH125 | 125 | 11.0 | 700 | 150 | 455 | 18 | 740 | 524 | 65 | 30 | 1196 | 372 | 218 | 241 | 350 | 2 | |
| | | 15.0 | 700 | 150 | 455 | 18 | 740 | 524 | 65 | 30 | 1240 | 372 | 218 | 260 | 370 | 2 | |
| MH150 | 150 | 15.0 | 700 | 150 | 455 | 18 | 740 | 504 | 65 | 30 | 1240 | 372 | 218 | 260 | 370 | 2 | |
| | | 18.5 | 700 | 150 | 455 | 18 | 740 | 504 | 65 | 30 | 1264 | 372 | 218 | 266 | 390 | 2 | |
| SMH25A | 25 | 0.75 | 275 | 90 | 310 | 14 | 325 | 240 | 35 | 17 | 565 | 185 | 95 | 143 | 67 | 2 | |
| | | 1.5 | 350 | 90 | 250 | 14 | 325 | 240 | 35 | 17 | 614.5 | 185 | 95 | 114 | 75 | 2 | |
| SMH32 | 32 | 1.5 | 400 | 100 | 325 | 14 | 465 | 330 | 50 | 13 | 719.5 | 265 | 120 | 150 | 77 | 2 | |
| | | 2.2 | 400 | 100 | 325 | 14 | 465 | 330 | 50 | 13 | 719.5 | 265 | 120 | 150 | 81 | 2 | |
| SMH40 | 40 | 2.2 | 400 | 100 | 325 | 14 | 465 | 330 | 50 | 13 | 719.5 | 265 | 120 | 150 | 81 | 2 | |
| | | 3.7 | 420 | 120 | 350 | 14 | 475 | 340 | 50 | 13 | 779 | 265 | 120 | 170 | 96 | 2 | |
| SMH50 | 50 | 2.2 | 400 | 100 | 325 | 14 | 465 | 330 | 50 | 13 | 719.5 | 265 | 120 | 150 | 81 | 2 | |
| | | 3.7 | 420 | 120 | 350 | 14 | 475 | 340 | 50 | 13 | 779 | 265 | 120 | 170 | 96 | 2 | |
| SMH65 | 65 | 5.5 | 500 | 150 | 360 | 14 | 435 | 305 | — | — | 962 | 350 | 160 | 208 | 160 | 3 | |
| | | 7.5 | 500 | 150 | 360 | 14 | 435 | 305 | — | — | 962 | 350 | 160 | 208 | 165 | 3 | |
| SMH80 | 80 | 7.5 | 540 | 160 | 410 | 14 | 535 | 355 | — | — | 997 | 362 | 183 | 220 | 205 | 3 | |
| | | 11.0 | 640 | 160 | 415 | 14 | 530 | 350 | — | — | 1151 | 362 | 183 | 220 | 259 | 3 | |
| SMH100 | 100 | 7.5 | 640 | 160 | 415 | 14 | 540 | 389 | — | — | 1049 | 407 | 190 | 220 | 205 | 3 | |
| | | 11.0 | 640 | 160 | 415 | 14 | 535 | 384 | — | — | 1203 | 407 | 190 | 232 | 265 | 3 | |
| | | 15.0 | 640 | 160 | 415 | 14 | 535 | 384 | — | — | 1203 | 407 | 190 | 232 | 305 | 3 | |

*1 Flange dimensions depend on JIS B 2210-10K

*2 Dimensions and the weight show a case of TAIYO electric equipment motor TIF form