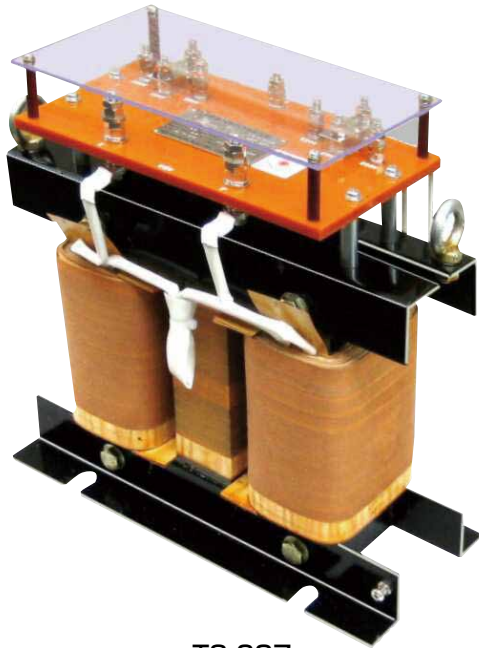
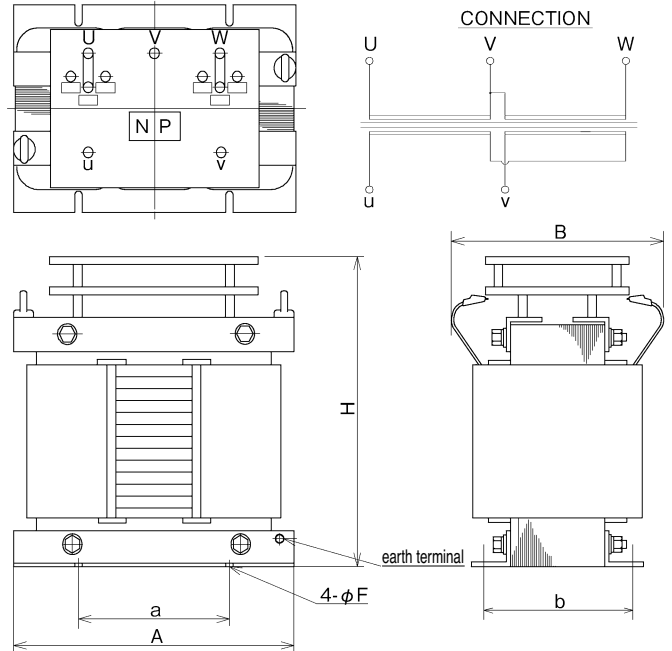


H-CLASS DRY TYPE TRANSFORMERS (Inverted V) TS-603 ~ TS-610



TS-607



- Available to make a special transformer on request which is out of standard specification.
- Approval inspection for major ship's classification JG, NK, LR, ABS, BV, DNV, GL, CCS, KR and CR are possible.
- SANSHIN transformers are applied with JEC-2200-1995, JEM-1273-1997

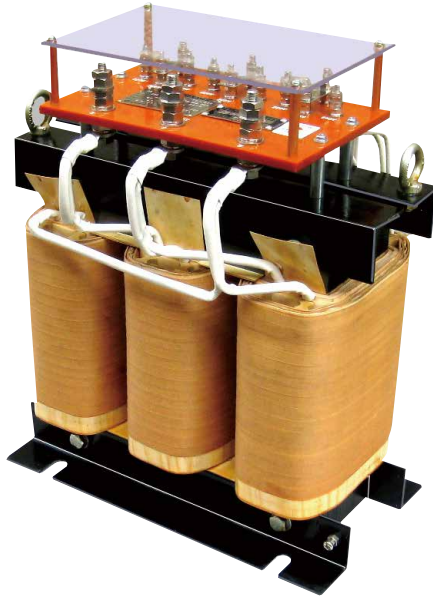
Specifications

Phase	3
Frequency	60Hz
Insulation class	H
Connection	V - Δ

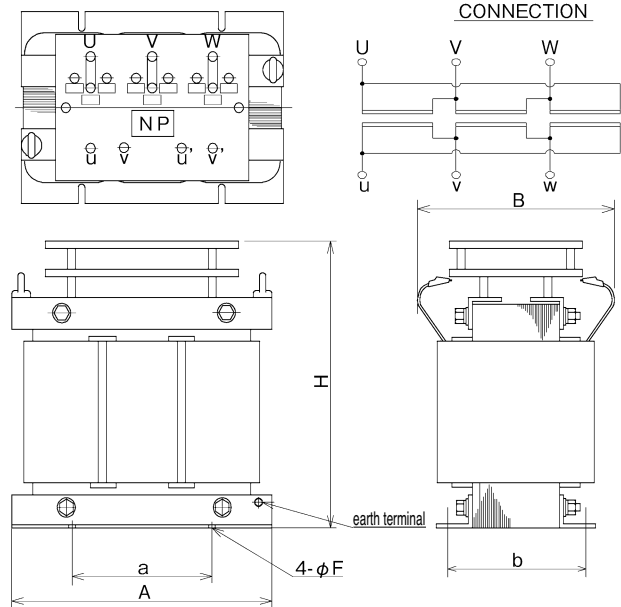
Dimension

Model	Capacity (KVA)	A (m/m)	B (m/m)	H (m/m)	a (m/m)	b (m/m)	F (m/m)	Weight (kg)	Code no.
TS-603	3	340	260	335	210	125	12	40	A06010000603
TS-605	5	340	260	345	210	135	12	47	A06010000605
TS-607	7.5	340	260	405	210	145	12	70	A06010000607
TS-610	10	360	260	420	230	155	12	80	A06010000610

H-CLASS DRY TYPE TRANSFORMERS (3-Phase) TS-303 ~ TS-350



TS-310



- Available to make a special transformer on request which is out of standard specification.
- Approval inspection for major ship's classification JG, NK, LR, ABS, BV, DNV, GL, CCS, KR and CR are possible.
- SANSHIN transformers are applied with JEC-2200-1995, JEM-1273-1997

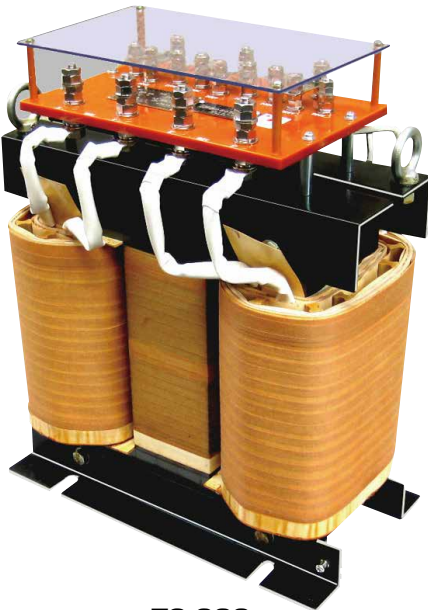
Specifications

Phase	3
Frequency	60Hz
Insulation class	H
Connection	Δ-Δ

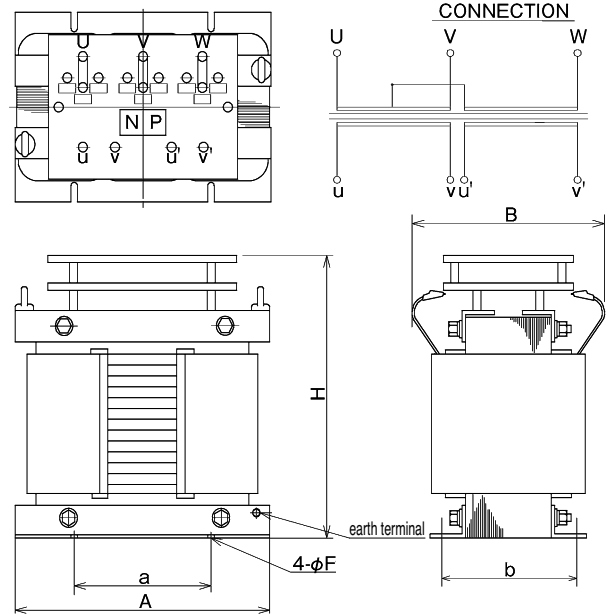
Dimension

Model	Capacity (KVA)	A (m/m)	B (m/m)	H (m/m)	a (m/m)	b (m/m)	F (m/m)	Weight (kg)	Code no.
TS-303	3	340	250	360	210	125	11	40	A06010000303
TS-305	5	340	250	360	210	130	11	45	A06010000305
TS-307	7.5	340	260	360	210	135	11	50	A06010000307
TS-310	10	360	260	380	230	155	11	65	A06010000310
TS-315	15	380	260	440	270	165	14	85	A06010000315
TS-320	20	400	270	460	270	175	14	110	A06010000320
TS-325	25	440	270	460	270	180	14	125	A06010000325
TS-330	30	440	300	540	270	190	14	145	A06010000330
TS-335	35	440	320	540	270	215	14	170	A06010000335
TS-340	40	500	340	570	300	215	14	190	A06010000340
TS-345	45	500	350	580	300	230	14	210	A06010000345
TS-350	50	500	350	620	300	230	14	230	A06010000350

H-CLASS DRY TYPE TRANSFORMERS (SCOTT) TS-203 ~ TS-245



TS-220



- Available to make a special transformer on request which is out of standard specification.
- Approval inspection for major ship's classification JG, NK, LR, ABS, BV, DNV, GL, CCS, KR and CR are possible.
- SANSHIN transformers are applied with JEC-2200-1995, JEM-1273-1997

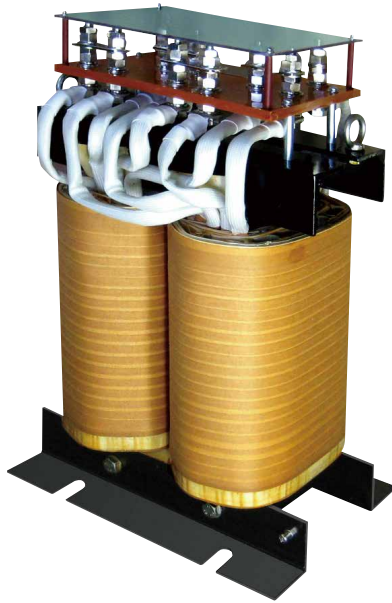
Specifications

Phase	3
Frequency	60Hz
Insulation class	H
Connection	Scott (T)

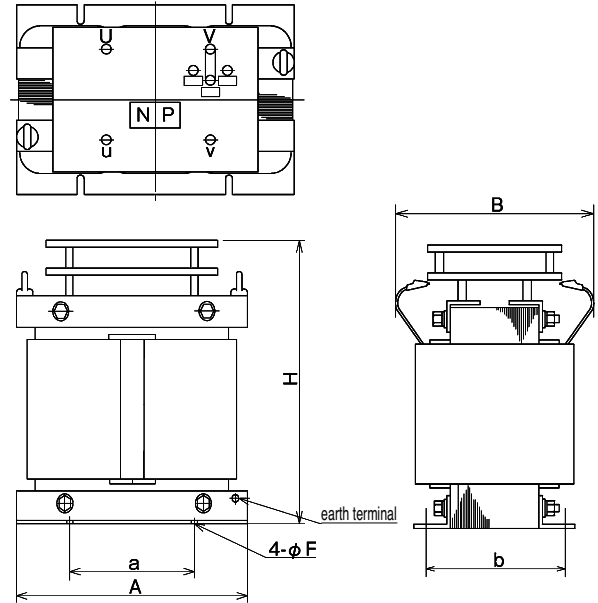
Dimension

Model	Capacity (KVA)	A (m/m)	B (m/m)	H (m/m)	a (m/m)	b (m/m)	F (m/m)	Weight (kg)	Code no.
TS-203	3	340	250	360	210	125	11	42	A06010000203
TS-205	5	340	250	360	210	135	11	50	A06010000205
TS-207	7.5	380	260	400	240	160	11	67	A06010000207
TS-210	10	380	260	400	240	170	11	85	A06010000210
TS-215	15	400	260	475	240	170	14	100	A06010000215
TS-220	20	420	270	505	270	185	14	135	A06010000220
TS-225	25	440	270	530	290	205	14	145	A06010000225
TS-230	30	440	300	580	290	210	14	165	A06010000230
TS-235	35	490	330	620	300	220	14	220	A06010000235
TS-240	40	490	330	620	350	240	14	245	A06010000240
TS-245	45	490	350	620	350	250	14	265	A06010000245

H-CLASS DRY TYPE TRANSFORMERS (SINGLE PHASE) TS-103 ~ TS-130



TS-107



- Available to make a special transformer on request which is out of standard specification.
- Approval inspection for major ship's classification JG, NK, LR, ABS, BV, DNV, GL, CCS, KR and CR are possible.
- SANSHIN transformers are applied with JEC-2200-1995, JEM-1273-1997

Specifications

Phase	1
Frequency	60Hz
Insulation class	H
Connection	-

Dimension

Model	Capacity (KVA)	A (m/m)	B (m/m)	H (m/m)	a (m/m)	b (m/m)	F (m/m)	Weight (kg)	Code no.
TS-103	3	280	250	340	140	130	11	30	A06010000103
TS-105	5	280	250	340	150	135	11	40	A06010000105
TS-107	7.5	280	260	390	170	150	11	45	A06010000107
TS-110	10	280	260	430	140	160	11	60	A06010000110
TS-115	15	320	260	485	150	180	14	85	A06010000115
TS-120	20	340	270	520	160	190	14	100	A06010000120
TS-125	25	340	300	540	180	210	14	125	A06010000125
TS-130	30	360	300	570	200	220	14	140	A06010000130