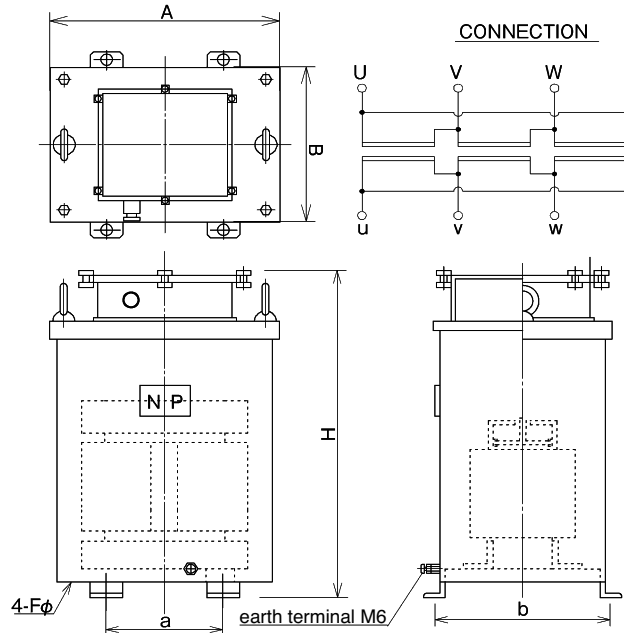


# H-CLASS DRY TYPE TRANSFORMERS WITH CASING (3-Phase) TD-303 ~ TD-380



TD-310



- Available to make a special transformer on request which is out of standard specification.
- Approval inspection for major ship's classification JG, NK, LR, ABS, BV, DNV, GL, CCS, KR and CR are possible.
- SANSHIN transformers are applied with JEC-2200-1995, JEM-1273-1997

## Specifications

Phase	3
Frequency	60Hz
Insulation class	H
Connection	$\Delta$ - $\Delta$

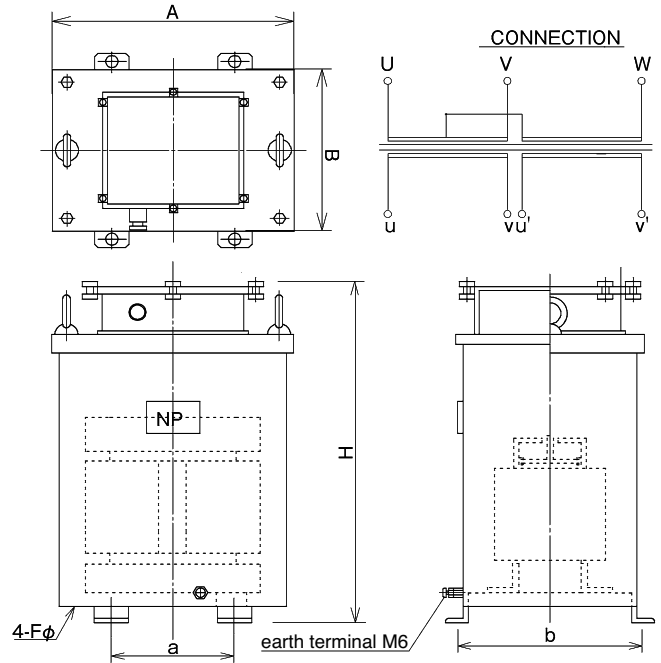
## Dimension

Model	Capacity (KVA)	A (m/m)	B (m/m)	H (m/m)	a (m/m)	b (m/m)	F (m/m)	Weight (kg)	Code no.
TD-303	3	410	280	540	250	300	14	55	A060100303
TD-305	5	410	280	540	250	300	14	65	A060100305
TD-307	7.5	420	290	625	260	310	14	80	A060100307
TD-310	10	460	310	700	260	330	14	100	A060100310
TD-315	15	480	330	725	260	350	14	120	A060100315
TD-320	20	490	330	785	270	350	14	140	A060100320
TD-325	25	520	350	855	330	370	14	165	A060100325
TD-330	30	560	370	875	350	390	14	185	A060100330
TD-340	40	570	380	935	360	400	14	215	A060100340
TD-350	50	660	400	930	510	410	14	250	A060100350
TD-360	60	690	420	950	540	430	14	280	A060100360
TD-370	70	790	450	990	600	460	14	330	A060100370
TD-380	80	820	460	1040	620	470	14	370	A060100380

# H-CLASS DRY TYPE TRANSFORMERS WITH CASING (SINGLE PHASE) TD-203 ~ TD-280



TD-210



- Available to make a special transformer on request which is out of standard specification.
- Approval inspection for major ship's classification JG, NK, LR, ABS, BV, DNV, GL, CCS, KR and CR are possible.
- SANSHIN transformers are applied with JEC-2200-1995, JEM-1273-1997

## Specifications

Phase	3/2
Frequency	60Hz
Insulation class	H
Connection	Scott (T)

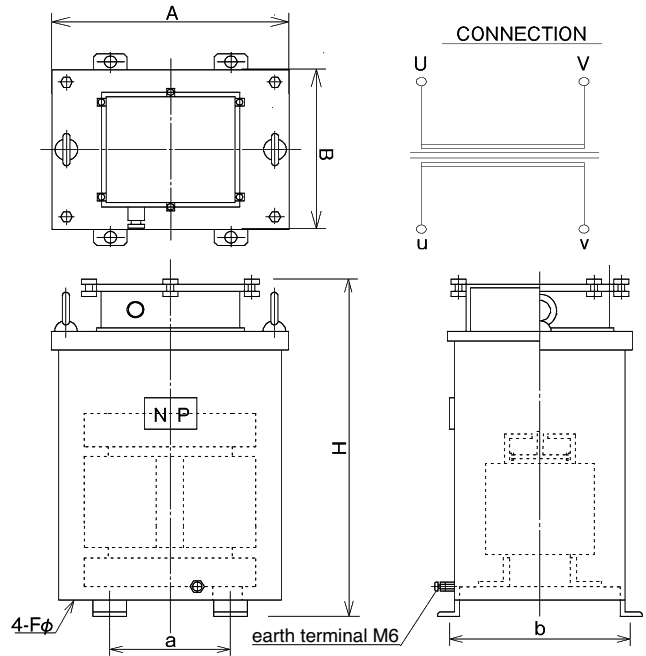
## Dimension

Model	Capacity (KVA)	A (m/m)	B (m/m)	H (m/m)	a (m/m)	b (m/m)	F (m/m)	Weight (kg)	Code no.
TD-203	3	330	270	570	180	290	14	60	A060100203
TD-205	5	330	270	570	180	290	14	70	A060100205
TD-207	7.5	350	290	640	200	310	14	85	A060100207
TD-210	10	370	310	705	200	330	14	105	A060100210
TD-215	15	390	330	770	220	350	14	125	A060100215
TD-220	20	440	350	850	360	400	14	150	A060100220
TD-225	25	450	350	850	370	400	14	175	A060100225
TD-230	30	460	360	870	380	410	14	200	A060100230
TD-240	40	480	370	950	400	420	14	230	A060100240
TD-250	50	580	450	1000	450	450	14	280	A060100250
TD-260	60	610	480	1060	480	490	14	320	A060100260
TD-270	70	640	510	1090	500	510	14	360	A060100270
TD-280	80	660	530	1150	520	530	14	400	A060100280

# H-CLASS DRY TYPE TRANSFORMERS WITH CASING TD-103 ~ TD-180



TD-110



- Available to make a special transformer on request which is out of standard specification.
- Approval inspection for major ship's classification JG, NK, LR, ABS, BV, DNV, GL, CCS, KR and CR are possible.
- SANSHIN transformers are applied with JEC-2200-1995, JEM-1273-1997

## Specifications

Phase	1
Frequency	60Hz
Insulation class	H
Connection	-

## Dimension

Model	Capacity (KVA)	A (m/m)	B (m/m)	H (m/m)	a (m/m)	b (m/m)	F (m/m)	Weight (kg)	Code no.
TD-103	3	330	270	570	180	290	14	40	A060100103
TD-105	5	330	270	570	180	290	14	50	A060100105
TD-107	7.5	350	290	640	200	310	14	75	A060100107
TD-110	10	370	310	705	200	330	14	90	A060100110
TD-115	15	390	330	770	220	350	14	115	A060100115
TD-120	20	440	350	850	360	400	14	135	A060100120
TD-125	25	450	350	850	370	400	14	155	A060100125
TD-130	30	460	360	870	380	410	14	170	A060100130
TD-140	40	480	370	950	400	420	14	190	A060100140
TD-150	50	580	450	1000	450	450	14	215	A060100150
TD-160	60	610	480	1060	480	490	14	240	A060100160
TD-170	70	640	510	1090	500	510	14	270	A060100170
TD-180	80	660	530	1150	520	530	14	310	A060100180