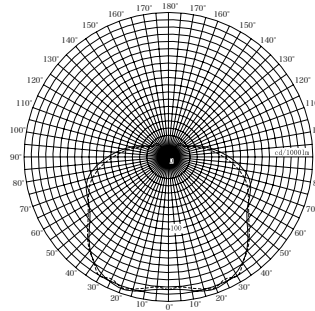
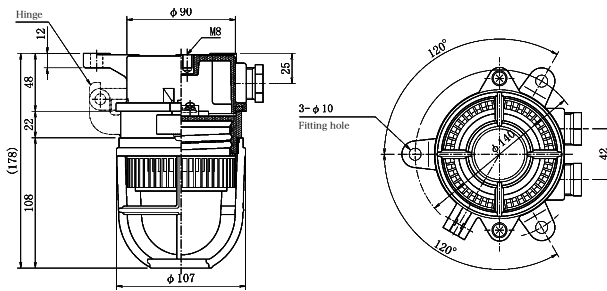


# LED PENDANT LIGHT AND WALL LIGHT

- The brightness that is near to a 100W incandescent electric lamp work light ■ 10-13W a little as for the consumption electricity. About 1/10 of the incandescence work light ■ Longer life 40,000h
- The glove has taking a polycarbonate that is good impact resistance and weather resistance. ■ An appliance does not become hot even if an appliance turns on for a long time ■ Prepare two types of AC100V and AC200V
- The DC type supports the wide input voltage range ■ The DC type supports the wide input voltage range
- We have the red guard as a option ■ AC types are with dimming function.(Dimmer not included)

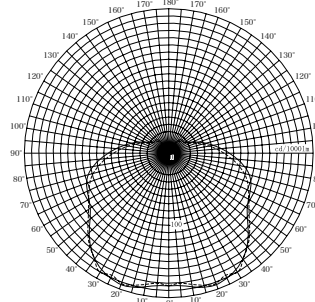
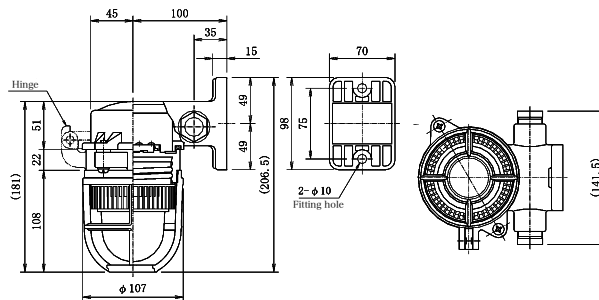
## TYPE: LEG-A11-D/A12-D/LEG-D10

Model	Input voltage	Input current	Power factor	Luminous Flux	Color temperature	Weight	Standard color	Power factor
LEG-A11-D	AC100V(AC100-120V±10%)	Approx.0.1A	Max.13W	930lm	5000K	1kg	7.5BG7/2	0.9
LEG-A12-D	AC220V(AC200-240V±10%)	Approx.0.06A	Max.12W	900lm		1kg		0.9
LEG-D10	DC24V(DC20-32V)	Approx.0.42 A	10W	950lm		1.1kg		-



## TYPE: LBG-A11-D/A12-D/LBG-D10

Model	Input voltage	Input current	Power factor	Luminous Flux	Color temperature	Weight	Standard color	Power factor
LBG-A11-D	AC100V(AC100-120V±10%)	Approx.0.1A	Max.13W	930lm	5000K	1kg	7.5BG7/2	0.9
LBG-A12-D	AC220V(AC200-240V±10%)	Approx.0.06A	Max.12W	900lm		1kg		0.9
LBG-D10	DC24V(DC20-32V)	Approx.0.42 A	10W	950lm		1.1kg		-



## TYPE: LFG-A11-D/A12-D/LFG-D10

Model	Input voltage	Input current	Power factor	Luminous Flux	Color temperature	Weight	Standard color	Power factor
LFG-A11-D	AC100V(AC100-120V±10%)	Approx.0.1A	Max.13W	930lm	5000K	1kg	7.5BG7/2	0.9
LFG-A12-D	AC220V(AC200-240V±10%)	Approx.0.06A	Max.12W	900lm		1kg		0.9
LFG-D10	DC24V(DC20-32V)	Approx.0.42 A	10W	950lm		1.1kg		-

