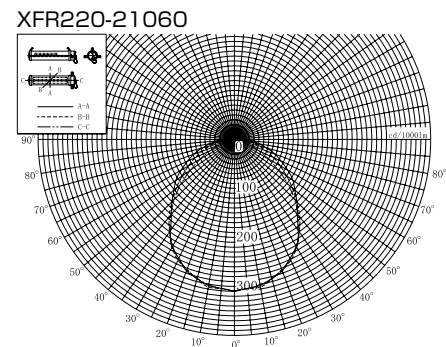
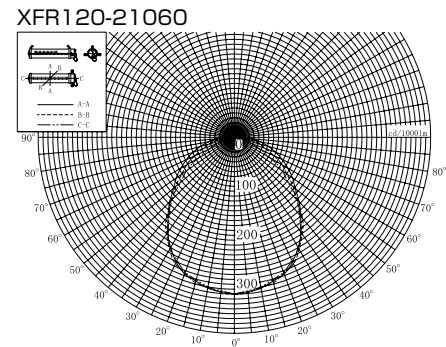
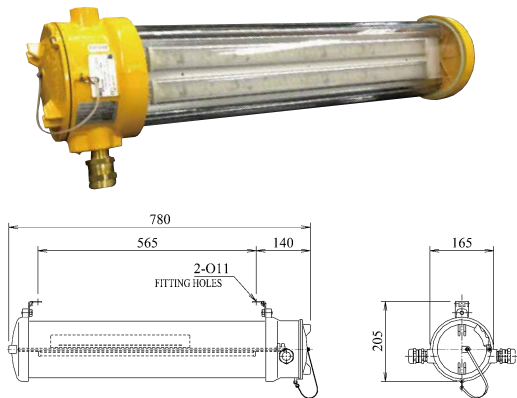


# EXPLOSION PROOF LED CEILING LIGHT

- Half of the consumption electricity compare with the ceiling light
- There is seldom loss of the power supply at a high power factor
- Longer life 40,000h
- There are few ultraviolet rays and fever and is strong in low temperature
- AC100-240V  $\pm 10\%$  wide range power supply adoption
- It conform to EN55015/EN61547 As noise measures
- Certificate: 11ATEX0051X/01 EExdIIC-T6 Zone1+Zone2,NK
- Protection level:IP67
- Ambient temperature:-20°C~+55°C
- Cable entry:2×3/4" NPT (2×M20 We can produce it)
- Material:Body Corrosion resistance aluminum, glove Impack resistant / [We can also produce glass type]
- Terminal board : PLUG-IN terminal until 10mm<sup>3</sup>. L,N,P,E. Loop connection is possible.

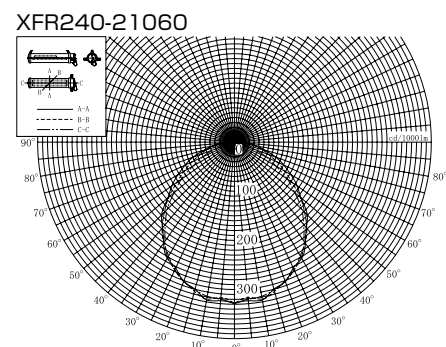
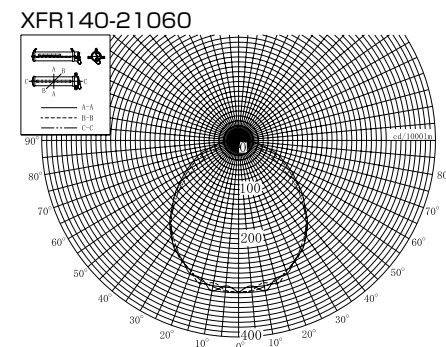
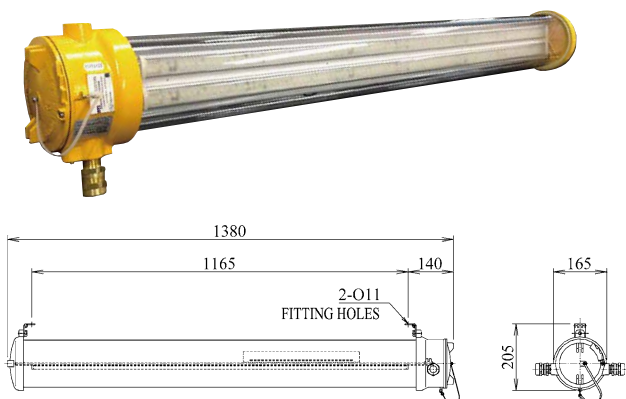
**TYPE: XFR120-21060** fluorescent lamp 20W×1 light equivalency /  
**XFF220-21060** fluorescent lamp 20W×2 light equivalency

Model	XFR120-21060	XFF220-21060
Range of input voltage	AC100-240V $\pm 10\%$ 1 $\phi$ 50/60Hz	AC100-240V $\pm 10\%$ 1 $\phi$ 50/60Hz
Input current	11W	19/18.5W
Power factor	0.96(100V)/0.93(220V)	0.99(100V)/0.92(220V)
Luminous flux	900 lm	900 lm×2



**TYPE: XFR140-21060** fluorescent lamp 40W×1 light equivalency /  
**XFF240-21060** fluorescent lamp 40W×2 light equivalency

Model	XFR140-21060	XFF240-21060
Range of input voltage	AC100-240V $\pm 10\%$ 1 $\phi$ 50/60Hz	AC100-240V $\pm 10\%$ 1 $\phi$ 50/60Hz
Input current	20.5/20W	38/37W
Power factor	0.99(100V)/0.93(220V)	0.99(100V)/0.92(220V)
Luminous flux	1800 lm	1800 lm×2

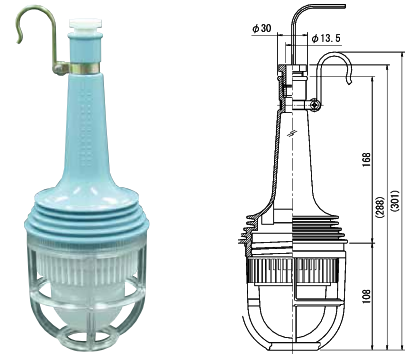


# LED HAND LAMP AND LED DOWN LIGHT

## TYPE : LHG-A11-D / A12-D / LHG-D10

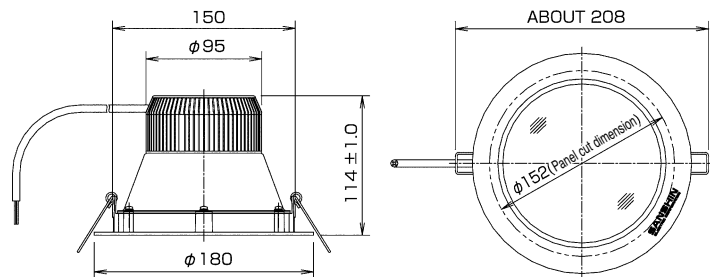
- The brightness that is near to a 100W incandescent electric lamp work light.
- 10-13W a little as for the consumption electricity. About 1/10 of the incandescence work light
- Longer life 40,000h ■ The glove has taking a polycarbonate that is good impact resistance and weather resistance.
- An appliance does not become hot even if an appliance turns on for a long time
- Prepare two types of AC100V and AC200V
- The DC type supports the wide input voltage range ■ It conform to EN55015/EN61547 As noise measures
- AC types are with dimming function (Dimmer not included)

Model	LHG-D10	LHG-A11-D	LHG-A12-D
Range of input voltage	DC24V (DC20-32V)	AC100 (AC100-120V±10%)	AC220V (AC200-240V±10%)
Input current	Approx.0.42A	Approx.0.1A	Approx.0.06A
Power consumption	10W	Max.13W	Max.12W
Power factor	—	0.9	0.9
Color temperature	5000K	5000K	5000K
Luminous flux	950lm	930lm	900lm
Weight	Approx.0.8kg	0.8kg	0.8kg
Color	7.5BG7/2		



## LED DOWN LIGHT TYPE: LDW-150Series

- Low power consumption ■ Longer life 40,000h
- We have the single color type that is with dimmer switch and no switch
- We have a product in conformity to an AC type and DC type
- We have a full color type(red,white) and a reshuffling type
- It conform to EN55015/EN61547 As noise measures



Model	color temperature	Dimmer function	color temperature	Input current	Luminous flux	Luminous flux	Weigh	External power supply presence
LDW-150MA1-A	×	○	3000K	AC100-120V ± 10%	Max.13W	750 lm	0.56	on
LDW-150MA2-A	×	○	3000K	AC200-240V ± 10%	Max.13W	750 lm	0.56	on
LDW-150MD	×	○	3000K	DC20-32V	Max.11W	585 lm	0.58	off
LDW-150MNA	×	×	3000K	AC100-240V ± 10%	Max.12W	585 lm	0.56	on
LDW-150MND	×	×	3000K	DC20-32V	Max.10W	585 lm	0.58	off
LDW-150MA1AM	○	○	—	AC100V-110V ± 10%	Max.13W	130 lm	0.56	on

- Single color power supply mass 0.15kg ■ Weight for power unit with 0.32kg The dimmer switch as option

## EXPLOSION PROOF LED CEILING LIGHT Model : LF1-01

- Explosion proof grade : EExd IIC T6/4/3 ZONE 1 + ZONE 2
- Certificate No.: INERIS 15ATEX0006X , IECEx INE 15.0008X
- Ambient temperature : -20°C~40°C
- Protection degree : IP66
- Material : corrosion proof aluminum alloy ( Guard : SUS)
- Color : 7.5BG7/2
- Cable gland : 4 x NPT3/4"
- Input voltage : 100V~240V
- RATING : Max. 11W

