

WARNING SYSTEM FOR PIRATE

The device which is developed as Casualties case by pirate near Indonesia and strait of Malacca. It sound a warning installed in the township when pirate come and touch the wire from the device. It can prevent malfunction from wave, wind and bird.

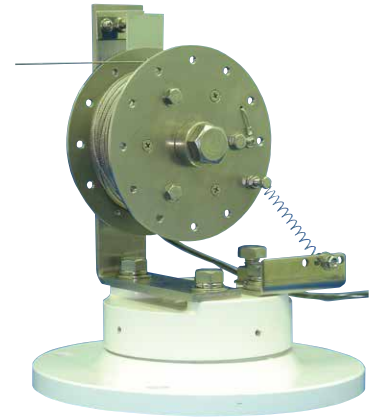
PKO-1 (Body) PKC-1 (Control panel)

Control panel specifications

Input voltage	AC100V 1φ 50/60Hz
Input current	Under 0.5A
Detection method	ON-OFF with the photoelectric switch
Circuit	Three points of switches 2 line circuits(Auto&Test)
Detection time	Arbitrary setting is possible
Reset function	Available
Board side indication	power indicator (DC24V White) Warning indicator (DC24V Red) Photoelectric indicator(DC24V Yellow)3pcs
Alarm	Buzzer(DC24V)
The outside output	Make contacts

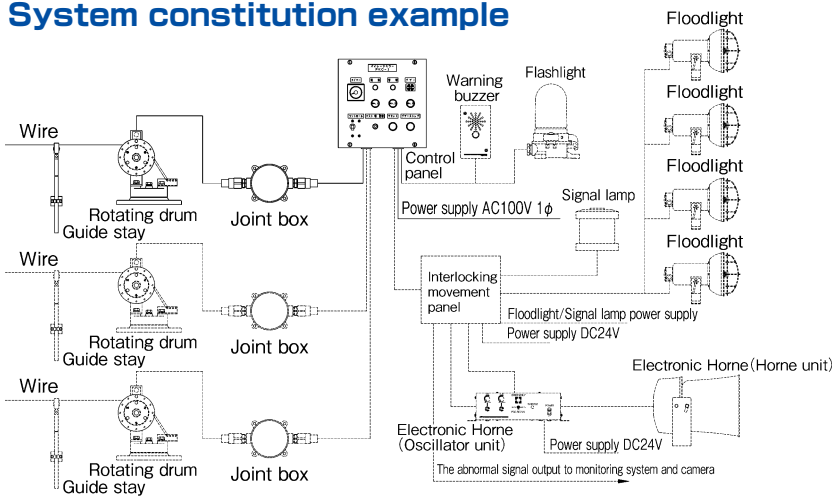


PKC-1



PKO-1

System constitution example



Using the outside output of the control panel, it can link it with various apparatuses. (e.x.)

- This gives a warning at another division.
- Set the signal lamp
- Illumination of the division entrance turn on automatically
- It can take out a siren sound and a warning sound by using
- It start the automatic recording (monitoring systems)
- Autolock of division

Hull setting example

Name	Model	Code No.
Main body	PKO-1	8000
Wire(30m)	WR30	8000-17
Control panel	PKC-1	8000-9
Joint box	STH-06-A	8000-81
Guide stay	PKG-1	8000-14

