

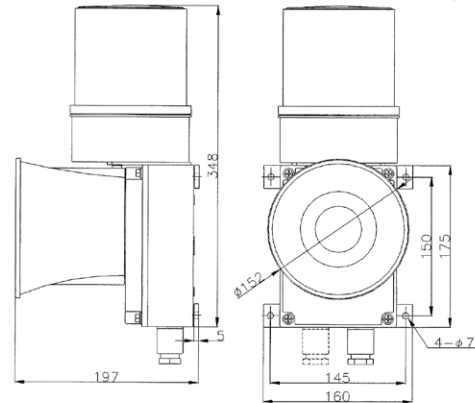
ELECTRIC HORN WITH ROTATING LIGHT

Electric Horn with Rotating Light Type ELH series

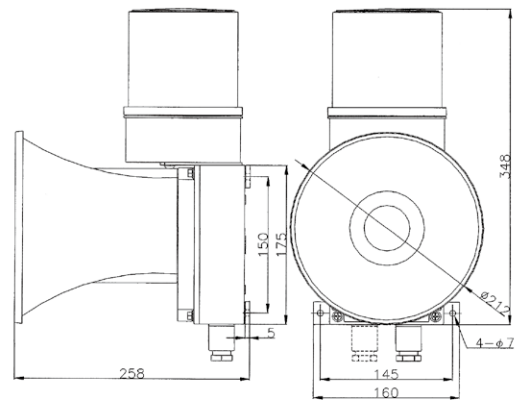


■ Voltage specification

Input voltage / Input current
DC24V / 2.2A
AC100V · AC110V / 0.45A
AC220V / 0.24A



113dB



115dB

Signal & Tones

- A: Beep, whoop
- B: Beep, beep
- C: Whoop, whoop
- D: Beep
- E: Whoop

(5 tones) Changeable from A~E tones

- F: Clang, clang
- G: Intermittent siren

(7 tones) Changeable from A~G tones

- H: Continuing siren
- I: Beep-beep, Beep-beep
- J: Whoop-whoop, Whoop-whoop
- K: Beep-beep-beep, Beep-beep-beep
- L: Whoop-whoop-whoop, Whoop-whoop- whoop
- M: Beep-beep-whoop
- N: Whoop-whoop-beep

(1 tone) Select one from A-N tones

Description	Model	Voltage	protection degree	Code No.
Electric horn with rotating light (1 tone)	ELH-151RAMW	113dB	IP55	(Red) A081000143
Electric horn with rotating light (5 tones)	ELH-155RAMW			(Yellow) A081000144
Electric horn with rotating light (7 tones)	ELH-157RAMW			(Red) A0810001152
Electric horn with rotating light (1 tone)	ELH-211RAMW	115dB	IP55	(Yellow) A0810001153
Electric horn with rotating light (5 tones)	ELH-215RAMW			(Red) A081000201
Electric horn with rotating light (7 tones)	ELH-217RAMW			(Yellow) A081000202
				(Red) A0810000411
				(Yellow) A0810000412
				(Red) A0810001711
		(Yellow) A0810001712		
		(Red) A0810002501		
		(Yellow) A0810002502		