

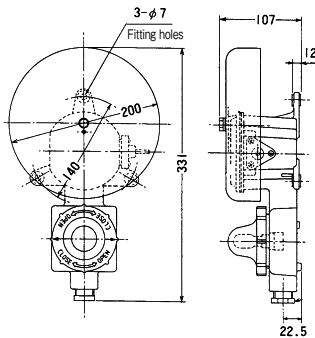
# ELECTRIC BELL

## W.T. Electric bell Type NBU

Rated voltage	AC100-110-115-220V DC24V
Gland	#20×1
Material	Synthetic resin
Protection degree	IP44
Code No.	4003U · 4011U

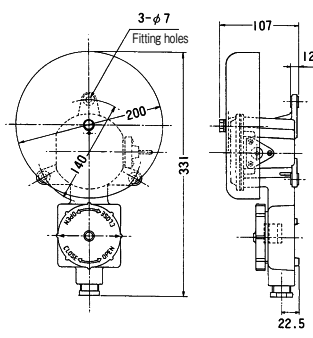
Model	Rated					Source voltage +10%		Source voltage -15%		Source voltage 95%		Minimum function range		
	Voltage (V)	Frequency (Hz)	Current (A)	Sound pressure level (dB)	Sound frequency range (Hz)	Current (A)	Sound pressure level (dB)	Current (A)	Sound pressure level (dB)	Voltage (V)	Sound pressure level (dB)	Voltage (V)	Current (A)	Sound pressure level (dB)
120	DC 24	—	0.35	108.0	800-10000	0.380	108.5	0.300	106.5	14	103	9	0.17	96.0
	100	50/60 (45~65)	0.17	107.0	800-10000	0.190	107.0	0.150	104.5	65	102	63	0.11	99.5
	110		0.19	107.5	800-10000	0.200	108.0	0.160	106.0	65	102	63	0.11	99.5
	115		0.19	107.5	800-10000	0.210	108.5	0.170	106.5	65	102	63	0.11	99.5
	220		0.09	106.5	800-10000	0.110	107.5	0.080	104.5	158	102	146	0.06	100.0
200	DC 24	—	0.39	108.0	500-10000	0.450	108.5	0.340	107.0	14	103	11	0.21	97.5
	100	50/60 (45~65)	0.19	105.0	500-10000	0.200	105.5	0.170	103.0	67	100	50	0.08	94.0
	110		0.20	105.5	500-10000	0.220	105.5	0.170	103.5	67	100	50	0.08	94.0
	115		0.20	105.5	500-10000	0.220	105.5	0.180	104.5	67	100	50	0.08	94.0
	220		0.10	106.5	500-10000	0.110	107.5	0.080	104.5	148	102	112	0.04	89.0

NBU-L200



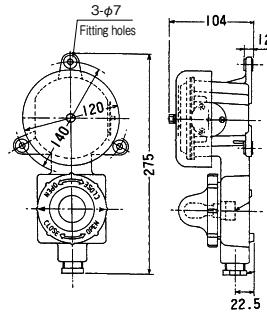
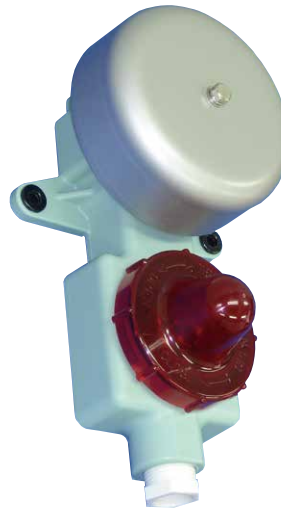
Weight 2.1kg

NBU-200



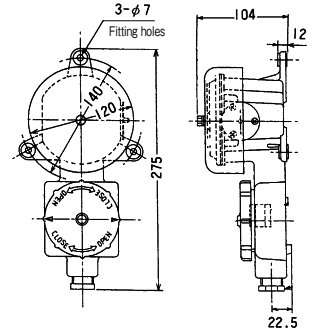
Weight 2.1kg

NBU-L120



Weight 1.3kg

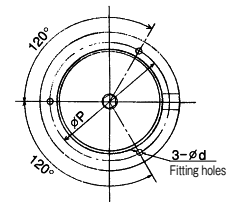
NBU-120



Weight 1.3kg

## N.W.T. Electric bell

Model	80		100		120		150		200						
Dia. (mm)	82		100		120		150		200						
Weight (kg)	0.25		0.48		0.67		0.83		1.1						
Sound pressure (PHON)	85		90		95		95		98						
Source	AC		AC		AC		AC		AC						
Voltage(V)	12	24	100	24	100	200	24	100	200	24	100	200	24	100	200
Current(A)	0.4	0.2	0.04	0.3	0.07	0.03	0.5	0.04	0.035	0.3	0.07	0.03	0.3	0.07	0.03
Starting voltage (V)	8	12	60	20	80	140	20	60	140	20	80	140	20	80	140
Source	DC		DC		DC		DC		DC						
Voltage(V)	6	12	24	12	24	100	12	24	100	12	24	100	12	24	100
Current(A)	0.45	0.2	0.07	0.12	0.1	0.04	0.2	0.07	0.02	0.12	0.1	0.04	0.12	0.1	0.04
Starting voltage (V)	4	8	18	8	18	80	8	18	80	8	18	80	8	18	80



Model	D1	D2	P	H	d
80	82	100	92	54	4
100	100	136	122	70	4
120	128	155	145	71	4
150	150	179	165	72	4
200	200	230	215	76	5.5

