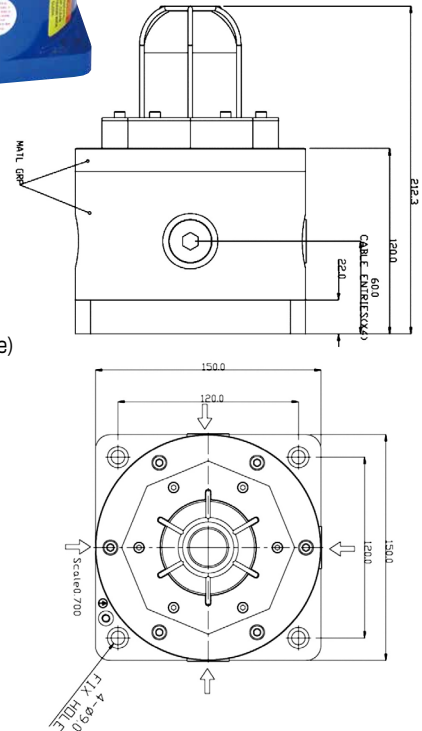


EXPLOSION PROOF BEACON BC150

BC-150 series Explosion-proof beacon & Light is designed according to EN60079-0, EN60079-1 and EN54 (BS 5879) standard. Enclosure material is UV and corrosion resistance GRP (Glass Reinforced Polyester). It specially applies to oil & Gas, offshore platform. Chemical, Petrochemical, Refinery and Marine industries etc. Different flash or rotary rate can be adjusted from unique design. Three working statuses-flash type, rotary type and steady type are available (LED)



BC150



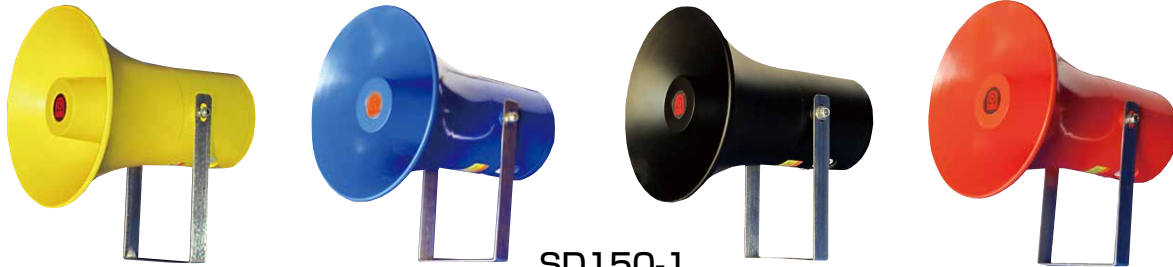
- Type Selection : LED or Xenon
- Voltage : DC12V~48V, AC100~240V
- Power consumption : Xenon 4W, 10W, 15W, 20W, 25W / LED 5W
- Input current : Xenon 160mA, 320mA, 650mA, 1A, 1.4A, LED220mA
- Lens color : Yellow (Amber), Red, Green, Blue, Clear
- LED output : Yellow : 112cd, Red : 94cd, Green : 78cd, Blue : 60cd
- Status type : Flashm Rotary (LED only) Steady (LED only)
- Flash Rate : 60/75/120 times/min (Flash once a time), 100/120/150 times/min (Flash twice a time)
120/150/180 times/min (Flash three times a time)
- Rotary Rate : Same as flash rate
- Globe : Tempered glass
- Ambient temperature : -40°C~+70°C
- Certificate : ATEX II2G ExdIICT4~T6 ZONE 1 + ZONE 2
- Protection degree : IP66/67
- Dimension : 150mm(L) x 150mm(W) x 212mm(H)
- Weight : 3.8kg
- Cable entry : 4 x M20
- CE marking
- Option : 1) Enclosure color : yellow, red, blue, black, other (Selectable)
2) Lens Guard Material : Stainless Teel
3) Cable entry : M25, 1/2"NPT, 3/4NPT" and other (Selectable)
4) Xenon 2 Joule type

Model	Lamp	Capacity	Voltage	Lens color	Code No.		
BC150	Xenon	4W	DC12-48V	Yellow (Amber)	A130500135		
				Red	A130500136		
				Green	A130500137		
				Blue	A130500138		
				Clear	A130500139		
				Yellow (Amber)	A130500140		
		AC100-240V	Red	A130500141			
			Green	A130500142			
			Blue	A130500143			
			Clear	A130500144			
			Xenon	10W	DC12-48V	Yellow (Amber)	A130500145
						Red	A130500146
	Green	A130500147					
	Blue	A130500148					
	Clear	A130500149					
	Yellow (Amber)	A130500150					
	AC100-240V	Red	A130500151				
		Green	A130500152				
		Blue	A130500153				
		Clear	A130500154				
		Xenon	15W	DC12-48V	Yellow (Amber)	A130500155	
					Red	A130500156	
	Green				A130500157		
	Blue				A130500158		
Clear	A130500159						
Yellow (Amber)	A130500160						
AC100-240V	Red		A130500161				
	Green		A130500162				
	Blue		A130500163				
	Clear		A130500164				

Model	Lamp	Capacity	Voltage	Lens color	Code No.		
BC150	Xenon	20W	DC12-48V	Yellow (Amber)	A130500165		
				Red	A130500166		
				Green	A130500167		
				Blue	A130500168		
				Clear	A130500169		
				Yellow (Amber)	A130500170		
		AC100-240V	Red	A130500171			
			Green	A130500172			
			Blue	A130500173			
			Clear	A130500174			
			Xenon	25W	DC12-48V	Yellow (Amber)	A130500175
						Red	A130500176
	Green	A130500177					
	Blue	A130500178					
	Clear	A130500179					
	Yellow (Amber)	A130500180					
	AC100-240V	Red	A130500181				
		Green	A130500182				
		Blue	A130500183				
		Clear	A130500184				
		LED	5W	DC12-48V	Yellow (Amber)	A130500185	
					Red	A130500186	
	Green				A130500187		
	Blue				A130500188		
Clear	A130500189						
Yellow (Amber)	A130500190						
AC100-240V	Red		A130500191				
	Green		A130500192				
	Blue		A130500193				
	Clear		A130500194				

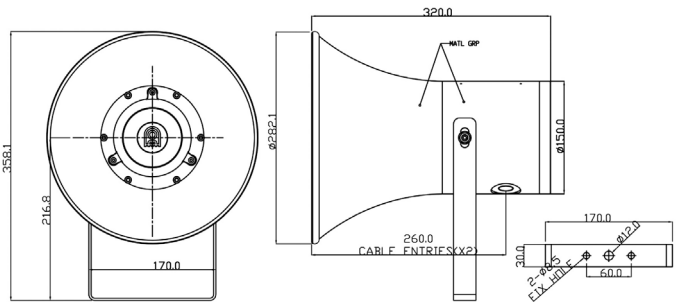
EXPLOSION PROOF SOUNDER SD150-1

SD-150 series Explosion-proof sounder/horn & Loudspeaker is designed according to EN60079-0, EN60079-1 and EN54 (BS 5879) standard. Enclosure material is UV and corrosion resistance GRP. It specially applies to Oil & Gas, Offshore Platform, Chemical, Petrochemical, Refinery and Marine Industries etc. According to user control system, 4 stages of alarm tones can be sent out from less critical stage (stage 1) to the most critical stage (stage 4). Every stage tone can be chosen freely. 63 tones are selectable. User can record sounds or customize sounds into the sounder by using 5 spare tones. Tone can be preset during installation.



SD150-1

- Tone Selection : 63 tones selectable
- Voltage : DC12V ~ 48V, AC100~240V
- Power consumption : 5~20W (adjustable)
- Sound output : Up to 115dB
- Input current : 250mA~1500mA
- Bracket material : stainless steel
- Ambient temperature : -40°C~+70°C
- Certificate : ATEX II2G ExdIICT4~T6 ZONE 1 + ZONE 2
- Cable entry : 2 x M20
- CE marking
- Option : 1) Enclosure color : Yellow, Red, Blue, Black and others (selectable)
2) Cable entry : M25, 1/2"NPT, 3/4"NPT and other (selectable)



Model	Voltage	Protection degree	L (mm)	Horn dia. (mm)	Weight (kg)	Code No.
SD150-1	DC12-48V	IP66/67	319	281	5.4	A081000250
	AC100-240V					A081000251

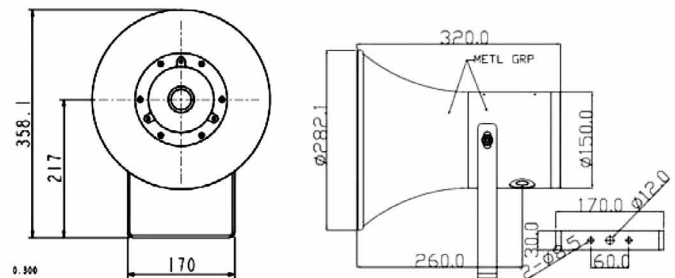
EXPLOSION PROOF SPEAKER SD150-2

SD-150 series Explosion-proof sounder/horn & Loudspeaker is designed according to EN60079-0, EN60079-1 and EN54 (BS 5879) standard. Enclosure material is UV and corrosion resistance GRP. It specially applies to Oil & Gas, Offshore Platform, Chemical, Petrochemical, Refinery and Marine Industries etc.



SD150-2

- Voltage : AC100V
- Rated power : 15W, 25W, 50W
- Sound output : Up to 115dB ● Frequency : 300Hz~80kHz
- Rated impedance : 960ohm (15W), 576ohm(25W), 288ohm(50W)
- Ambient temperature : -40°C~+70°C
- Certificate : ATEX II2G ExdIICT4~T6 ZONE 1 + ZONE 2
- Cable entry : 2 x M20 ● Bracket material : stainless steel
- CE marking
- Option : 1) Enclosure color : Yellow, Red, Blue, Black and others (selectable)
2) Cable entry : M25, 1/2"NPT, 3/4"NPT and other (selectable)



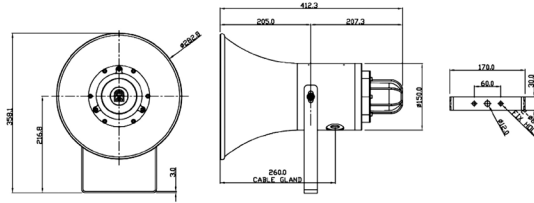
Model	Voltage	Output Power	Protection degree	L (mm)	Horn dia. (mm)	Weight (kg)	Code No.
SD150-2	AC100V	15W	IP66/67	320	281	5.4	A081000252
		25W					A081000253
		50W					A081000254

EXPLOSION PROOF SOUNDER BEACOM SB150-1

SB150 -1 series Explosion-proof sounder/horn & Loudspeaker is designed according to EN60079-0, EN60079-1 and EN54 (BS 5879) standard. Enclosure material is UV and corrosion resistance GRP. It specially applies to Oil & Gas, Offshore Platform, Chemical, Petrochemical, Refinery and Marine Industries etc. The device can be used sounder (SD150-1) and beacon (BC150) .



SB150-1



- Tone Selection : 63 tones selectable
- Voltage : DC12V ~ 48V, AC100~240V
- Power consumption : 5~20W (adjustable)
- Sound output : Up to 115dB●Input current : 250mA~1500mA
- Bracket material : stainless steel
- Ambient temperature : -40℃~+70℃
- Certificate : ATEX II2G ExdIICT4~T6 ZONE 1 + ZONE 2
- Cable entry : 2 x M20 ●CE marking
- Option : 1) Enclosure color : Yellow, Red, Blue, Black and others (selectable)
2) Cable entry : M25, 1/2"NPT, 3/4"NPT and other (selectable)

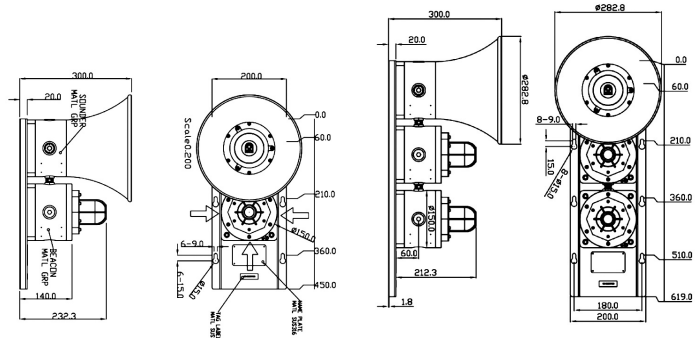
- Type Selection : LED or Xenon ●Voltage : DC12V~48V, AC100~240V
- Power consumption : Xenon 4W, 10W, 15W, 20W, 25W / LED 5W
- Input current : Xenon 160mA, 320mA, 650mA, 1A, 1.4A, LED220mA
- Lens color : Yellow (Amber), Red, Green, Blue, Clear
- LED output : Yellow : 112cd, Red : 94cd, Green : 78cd, Blue : 60cd
- Status type : Flashm Rotary (LED only) Steady (LED only)
- Flash Rate : 60/75/120 times/min (Flash once a time), 100/120/150 times/min (Flash twice a time) 120/150/180 times/min (Flash three times a time)
- Rotary Rate : Same as flash rate ●Globe : Tempered glass
- Ambient temperature : -40℃~+70℃
- Certificate : ATEX II2G ExdIICT4~T6 ZONE 1 + ZONE 2
- Protection degree : IP66/67●Dimension : 150mm(L) x 150mm(W) x 212mm(H)
- Weight : 3.8kg ●Cable entry : 4 x M20 ●CE marking
- Option : 1) Enclosure color : yellow, red, blue, black, other (Selectable)
2) Lens Guard Material : Stainless Teel
3) Cable entry : M25, 1/2"NPT, 3/4"NPT" and other (Selectable)
4) Xenon 2 Joule type

Model	Lamp	Voltage	Lens color	Code No.
SB150-1	Xenon	DC12-48V	Yellow (Amber)	A130500200
			Red	A130500201
			Green	A130500202
			Blue	A130500203
	AC100-240V	Clear	A130500204	
		Yellow (Amber)	A130500205	
		Red	A130500206	
		Green	A130500207	
		Blue	A130500208	
	Clear	A130500209		

Model	Lamp	Voltage	Lens color	Code No.
SB150-1	LED	DC12-48V	Yellow (Amber)	A130500210
			Red	A130500211
			Green	A130500212
			Blue	A130500213
	AC100-240V	Clear	A130500214	
		Yellow (Amber)	A130500215	
		Red	A130500216	
		Green	A130500217	
		Blue	A130500218	
	Clear	A130500219		

EXPLOSION PROOF SOUNDER BEACOM COMBINATION SB150-2/3/4

SB150-2/3/4



Model	Combination	Voltage	Lamp	Lens color	Code No.
SB150-2	1 sounder + 1 beacon	DC12-48V	Xenon	Yellow (Amber) Red Green Blue Clear	A130500220
		AC100-240V	LED		A130500221
SB150-3	1 sounder + 2 beacons	DC12-48V	Xenon		A130500222
		AC100-240V	LED		A130500223
		DC12-48V	Xenon		A130500224
		AC100-240V	LED		A130500225
SB150-4	1 sounder + 3 beacons	DC12-48V	Xenon		A130500226
		AC100-240V	LED		A130500227
		DC12-48V	Xenon		A130500228
		AC100-240V	LED		A130500229
			Xenon		A130500230
			LED		A130500231

※Combination with only beacon is available on request.