

EXPLOSION PROOF INCANDESCENT CEILING LIGHT

●Explosion proof grade : EExd IIC T6/4/3 ZONE 1 + ZONE 2

●NK type approval :
TA09606M/09607M/09608M

●Certification standard : CESI 03 ATEX 149

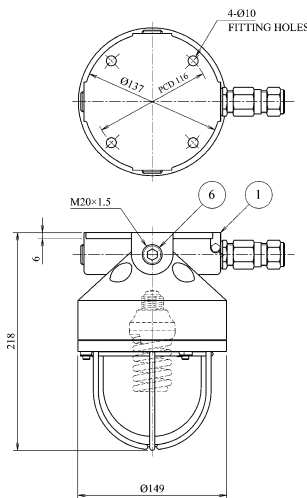
●Protection degree : IP65

●Ambient temperature : -20°C~+40°C

●Material : corrosion proof aluminium alloy (Guard : SUS)

●Color : 7.5BG7/2

●Cable gland : 4 x NPT3/4"



LF1-022 / LF1-023



Model	Temperature grade	Voltage	Version		Lamp holder	Dimension (mm)	
			Capacity	Lamp		H	D
LF1-022	T4	MAX. 230VAC	MAX.23W	Compact Fluo Lamp	E27	218	149
LF1-023	T3		MAX.116W	Halogen Lamp		218	149

EXPLOSION PROOF INCANDESCENT / SODIUM / METAL HALIDE CEILING LIGHT

●Explosion proof grade : EExd IIC T4/3 ZONE 1 + ZONE 2

●Certification standard : CESI 02 ATEX 143

●Protection degree : IP65

●Ambient temperature : -20°C~+40°C

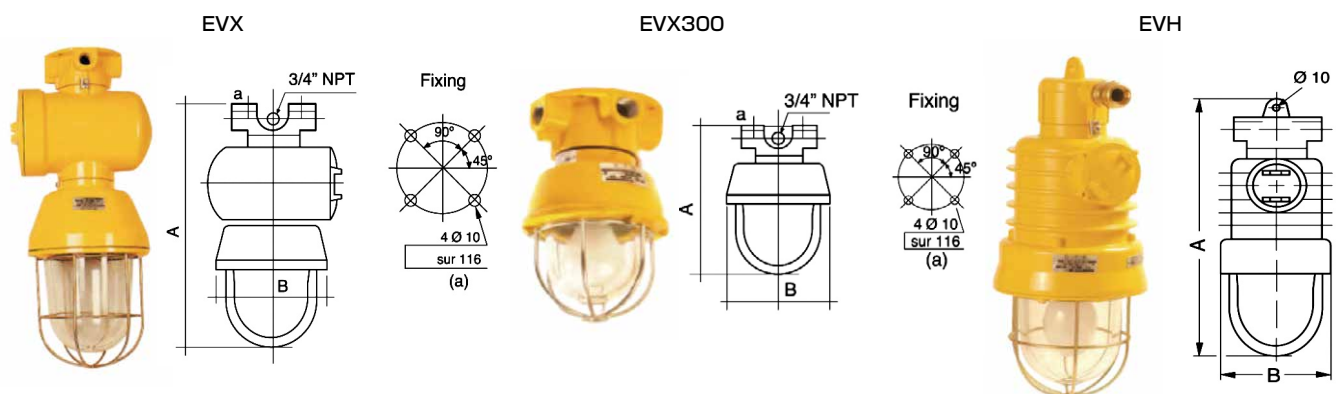
●Material : Corrosion proof aluminium alloy (Guard : SUS)

●Cable gland :

EVH : 2 x NPT3/4"

EVX : 4 x NPT3/4"

●EVX : Ceiling type / EVH : Hanging type



Model	Temperature grade	Voltage	Version		Lamp holder	Weight (kg)	Dimension (mm)		Code No.		
			Capacity	Lamp			A / A'	D			
EVX 300	EVH 300	T3	MAX.250V	300W	Incandescent	E40	7.2	410 / 463	220	A160607	A160605
EVX Na20	EVH Na20	T4	AC220V / 60Hz	70W	H.P. Sodium	E27	6.5	470 / 500	200	A160603	A1606016
EVX Na30	EVH Na30	T3		150W	H.P. Sodium	E40	9.7	600 / 633	220	A160608	A1606017
EVX Na40	EVH Na40	T3		250W	H.P. Sodium	E40	9.7	600 / 633	220	A160609	A1606018
EVX Na50	EVH Na50	T3		400W	H.P. Sodium	E40	12	630 / 670	270	A1606010	A1606019
EVX Im40	EVH Im40	T3	AC230V / 50Hz	250W	Metal Halide	E40	9.7	600 / 633	220	A1606014	A1606020
EVX Im50	EVH Im50	T3		400W	Metal Halide	E40	12	630 / 670	270	A16060154	A1606021