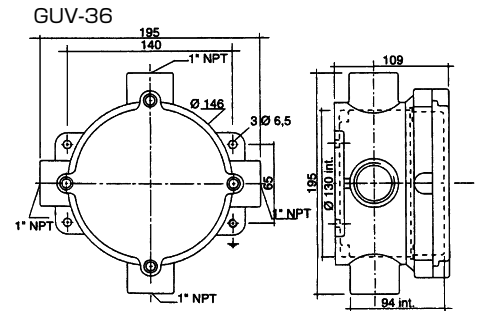
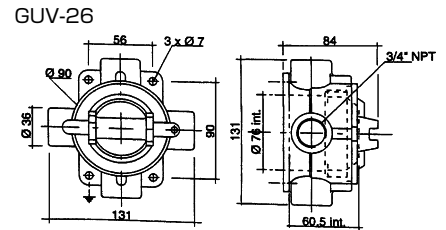
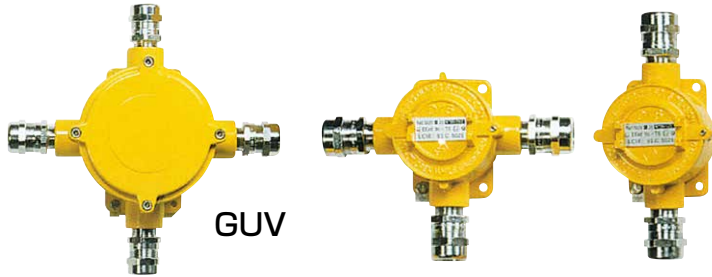


EXPLOSION PROOF JOINT BOX GU-26/GU-36

- 2 sizes of box (GU.26 and GU.36)
- Material : Aluminium alloy body
- Terminal board : GU-26 : 4terminals x up to 6mm²
Terminal board : GU-36 : 8 terminals x up to 25mm² or 6 terminal x up to 35mm²
- Cable entries : 2 ~ 4 x 3/4" NPT
- Ambient temperature : -20°C ~ +40°C
- Protection degrees : IP66
- Certificate : ATEX II2G EExdIIC-T6 ZONE 1 + ZONE 2
- NK type approval : TA10094M
- Polyester material is available on request

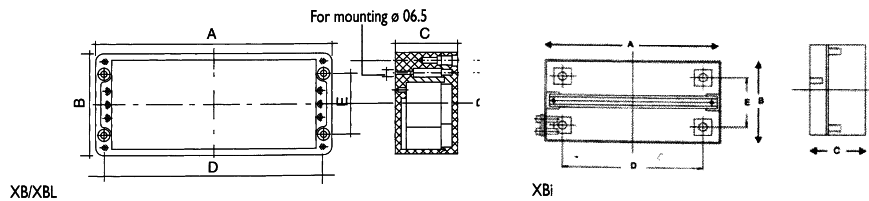


Model	Number of terminals	Number of cable gland	Weight (kg)	Code No.
GUVC-26	4x2.5~6mm ²	2	0.60	A2099004501
GUVL-26	4x2.5~6mm ²	2	0.60	A2099004502
GUVT-26	4x2.5~6mm ²	3	0.62	A2099004503
GUVX-26	4x2.5~6mm ²	4	0.65	A2099004504
GUVC-36	Max.8x25mm ² Or 6x35mm ²	2	1.60	A2099004511
GUVT-36	Max.8x25mm ² Or 6x35mm ²	3	1.70	A2099142
GUVX-36	Max.8x25mm ² Or 6x35mm ²	4	1.80	A2099145

EXPLOSION PROOF JOINT BOX XB/XBL



- Material : XB : Aluminium ALSi, XBL : Polyester (Stainless steel 316L is available on request.)
- Customised to user's own specification.
- Ambient temperature: -20°C ~ +40°C
- Protection degree : IP66
- Certificate : ATEX II2G and D EExeII-T6 · EExiaIIC-T6 ZONE 1 + ZONE 2



Model	Material	Dimension (mm) A x B x C	Fixing centres D x E	Maximum number of terminals								Weight (kg)	Code No.
				Size (mm ²) / Max capacity (A)									
				2.5mm ² 8.5A	4mm ² 11A	6mm ² 21A	10mm ² 27.5A	16/25 40/62A	35mm ² 72A	70mm ² 100A	120mm ² 120A		
XB300	Alu	120 x 120 x 85	104 x 80	15	12	9	7	6	4	-	-	0.80	A20990302
XB400		230 x 120 x 85	214 x 80	37	30	24	19	15	10	-	-	1.10	A20990304
XB500		170 x 120 x 85	154 x 80	24	18	16	13	10	8	-	-	1.00	A20990305
XB700		350 x 160 x 85	330 x 112	60	50	37	30	25	18	-	-	2.10	A20990303
XB710		350 x 230 x 115	330 x 182	120	95	54	30	25	18	4	4	3.90	A20990306
XB750		313 x 404 x 141	262 x 382.5	195	162	82	66	54	22	15	-	5.28	A20990307
XB850		500 x 250 x 115	480 x 202	180	150	110	45	37	28	4	4	5.85	A20990308
XB960		600 x 600 x 200	555 x 525	404	336	192	153	126	102	23	16	26.00	A20990309
XBL15		Poly	120 x 120 x 85	104 x 80	15	12	9	7	6	4	-	-	0.65
XBL25	230 x 120 x 85		214 x 80	38	32	24	19	16	12	-	-	1.00	A20990311
XBL35	350 x 160 x 85		330 x 112	60	51	37	30	25	18	-	-	1.95	A20990312
XBL40	405 x 400 x 120		380 x 355	198	165	122	99	56	22	15	11	5.58	A20990313
XBL45	350 x 200 x 115		330 x 152	120	95	54	30	25	18	4	4	2.65	A20990314
XBL55	500 x 250 x 115		480 x 202	180	150	110	45	37	28	4	4	4.10	A20990315
XBL65	600 x 250 x 115		580 x 202	214	184	138	55	46	34	4	4	4.70	A20990316
XBL75	400 x 600 x 250		370 x 570	258	258	192	192	72	66	14	12	7.30	A20990317