

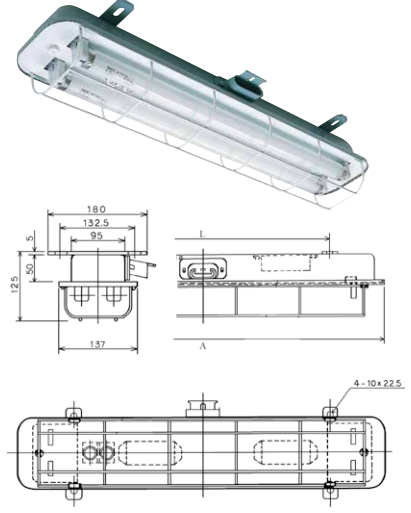
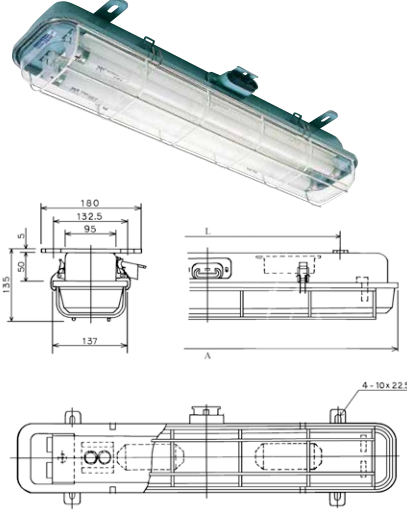
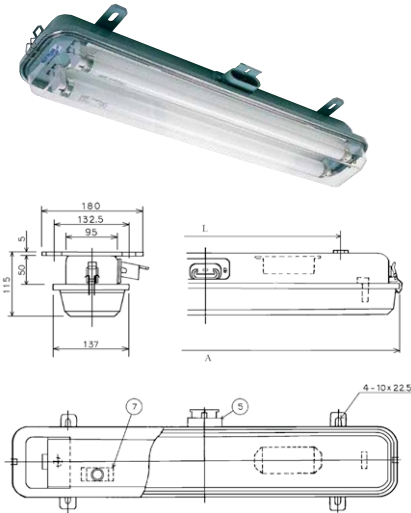
FLUORESCENT CEILING LIGHTS

47/65/72 series 7.5BG7/2 IP22/55/56 5~45°C

D.P. and W.T. type with globe
FLC-2147C

D. P. and W.T. type with globe and guard
FLC-2165CP

D. P type with guard
FLC-2172C



Model	Dimension (mm)	
	A	L
FLC-2147C-A	712	500
FLC-2247C-A	712	500
FLC-4147C	1332	1100
FLC-4247C	1332	1100

Model	Dimension (mm)	
	A	L
FLC-2165CP	712	500
FLC-2265CP	712	500
FLC-4165CP	1332	1100
FLC-4265CP	1332	1100

Model	Dimension (mm)	
	A	L
FLC-2172C	712	500
FLC-2272C	712	500
FLC-4172C	1332	1100
FLC-4272C	1332	1100

Specification · Low power factor, Glow starter type without fluorescent lamp

Material · Body : Steel plate
· Globe : Polystyrol (clear)
· Guard : Steel bar

Lamp · JIS standard fluorescent lamp tube G13 20W

Connection · C = Coaming type with lead wire
· CP = Coaming type with gasket and lead wire
· T = Terminal box with 2 cable gland or 4 cable gland 4 cable gland type installed for emergency lamp.
· T = Terminal board : JIS F8812/O-20-2P/4P

Optional specification · IEC standard lamp type · R (with emergency lamp)
· High power factor · Globe (Polycarbonate material)
· 50Hz type · Hanging foot : H
· DC24V type

Model	Voltage/Frequency code No.			Protection degree IP	Weight kg
	AC100V60Hz	AC115V60Hz	AC220V60Hz		
FLC-2147C / RC	A150103643 / A150103652	A1501036431 / A150103653	A1501036433 / A150103654	IP22	2.7
FLC-2147C-A / RC-A	A15010364 / A15010365	A150103649 / A150103655	A1501036413 / A150103656	IP22	2.7
FLC-2147CP / RCP	A15010348 / A15010349	A150103484 / A150103496	A150103480 / A150103494	IP55	2.7
FLC-2147T / RT	A150103810 / A150103822	A1501038105 / A1501038231	A15010381001 / A1501038232	IP56	2.9
FLC-2247C / RC	A1501036619 / A150103673	A1501036613 / A150103675	A1501036620 / A150103678	IP22	3.3
FLC-2247C-A / RC-A	A15010366 / A15010367	A150103664 / A150103679	A150103665 / A150103680	IP22	3.3
FLC-2247CP / RCP	A15010350 / A15010351	A1501035042 / A150103513	A150103504 / A1501035101	IP55	3.3
FLC-2247T / RT	A150103830 / A150103840	A1501038312 / A150103844	A1501038301 / A150103845	IP56	3.5
FLC-4147C / RC	A150104521 / A150103611	A150104522 / A150103612	A150104523 / A150103613	IP22	7.0
FLC-4147CP / RCP	A150136904 / A1501035112	A150136907 / A1501035113	A150136908 / A1501035114	IP55	7.1
FLC-4147T / RT	A150136903 / A1501038401	A150136909 / A1501038402	A150136910 / A1501038403	IP56	7.2
FLC-4247C / RC	A15010366141 / A150104071	A15010366143 / A150104072	A15010366144 / A150104073	IP22	7.3
FLC-4247CP / RCP	A15010366142 / A150103498	A15010366145 / A150103499	A15010366146 / A150103500	IP55	7.4
FLC-4247T / RT	A150104002 / A150104006	A1501040021 / A150104007	A150104003 / A150104008	IP56	7.5
FLC-2165C / RC	A15010356 / A1501035702	A1501035641 / A1501035703	A1501035642 / A1501035704	IP22	3.1
FLC-2165CP / RCP	A15010340 / A15010341	A150103409 / A150103412	A150103405 / A150103413	IP55	3.1

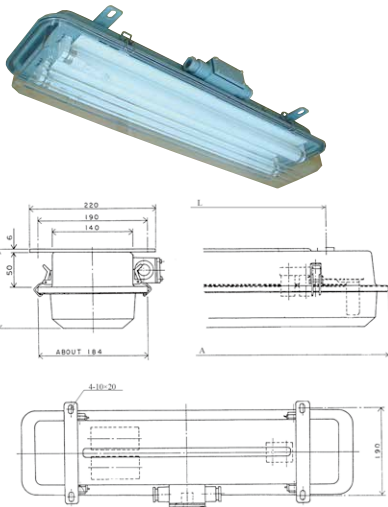
FLUORESCENT CEILING LIGHTS

Marine
Fluorescent Light

Model	Voltage/Frequency code No.			Protection degree IP	Weight kg
	AC100V60Hz	AC115V60Hz	AC220V60Hz		
FLC-2165T / RT	A150103402 / A15010340515	A1501034025 / A15010340514	A1501034026 / A15010340513	IP56	3.3
FLC-2265C / RC	A150103556 / A150103591	A150103585 / A150103592	A150103586 / A150103593	IP22	3.7
FLC-2265CP / RCP	A150103442 / A15010343	A150103432 / A150103436	A150103425 / A150103433	IP55	5.7
FLC-2265T / RT	A1501034234 / A1501034231	A15010454 / A1501034238	A150104541 / A1501034239	IP56	5.9
FLC-4165C / RC	A150103587 / A150103594	A150103588 / A150103595	A150103589 / A150103596	IP22	7.6
FLC-4165CP / RCP	A150103429 / A150103439	A150103430 / A1580103440	A150103437 / A150103441	IP55	7.9
FLC-4165T / RT	A150104542 / A1501034240	A150104543 / A1501034241	A150104544 / A1501034242	IP56	7.7
FLC-4265C / RC	A150103597 / A1501035961	A150103598 / A1501035962	A150103599 / A1501035963	IP22	7.9
FLC-4265CP / RCP	A15010463 / A15010464	A150104631 / A150104641	A150104632 / A150104642	IP55	8.2
FLC-4265T / RT	A150104531 / A1501034243	A15010453 / A1501034244	A150104532 / A1501034245	IP56	8.0
FLC-2172C / RC	A15010372 / A15010373	A150103723 / A150103737	A150103722 / A150103735	IP22	2.9
FLC-2272C / RC	A15010374 / A15010375	A1501037401 / A150103755	A150103746 / A150103747	IP22	3.4
FLC-4172C / RC	A150103726 / A150103750	A150103727 / A150103756	A150103729 / A150103757	IP22	4.5
FLC-4272C / RC	A150103730 / A150103760	A150103738 / A150103766	A1501037381 / A150103767	IP22	4.9

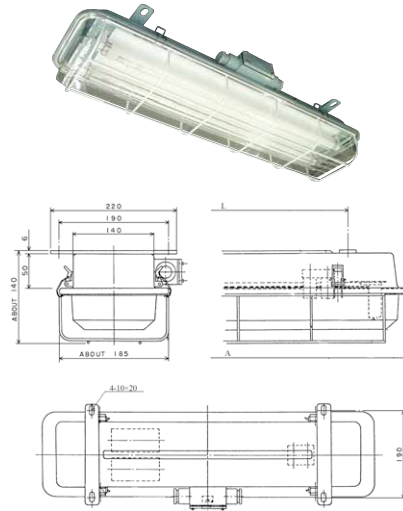
46/48 series 7.5BG7/2 IP56 5~45°C

W.T type with globe FLC-2246T



Model	Dimension (mm)	
	A	L
FLC-2146T	715	500
FLC-2246T	715	500
FLC-4146T	1333	1100
FLC-4246T	1333	1100

W.T type with globe and guard FLC-2248T



Model	Dimension (mm)	
	A	L
FLC-2148T	715	500
FLC-2248T	715	500
FLC-4148T	1333	1100
FLC-4248T	1333	1100

Specification

- Low power factor, Glow starter type without fluorescent lamp

Material

- Body : Steel plate
- Globe : Polystyrol (clear)
- Guard : Steel bar

Lamp

- JIS standard fluorescent lamp tube G13 20W

Connection

- Terminal box with 2 cable gland or 4 cable gland
- 4 cable gland type installed for emergency lamp.
- Terminal board : JIS F8812/O-20-2P/4P

Optional specification

- IEC standard lamp type
- High power factor
- 50Hz type
- Available SUS material type on your request.
- DC24V type
- Hanging foot : H
- R (with emergency lamp)

Model	Voltage/Frequency code No.			Protection degree IP	Weight kg
	AC100V60Hz	AC115V60Hz	AC220V60Hz		
FLC-2146T / RT	A15010068 / A15010067	A15010418 / A150101251	A150100680 / A150100674	IP56	4.0
FLC-2246T / RT	A15010098 / A15010097	A150100985 / A150100979	A1501009815 / A150100987	IP56	5.3
FLC-4146T / RT	A15010126 / A15010125	A150101267 / A150101251	A150101268 / A150101252	IP56	8.0
FLC-4246T / RT	A15010148 / A15010147	A150101482 / A150101472	A150101480 / A150101473	IP56	9.8
FLC-2148T / RT	A15010072 / A15010071	A150100723 / A150100714	A150100721 / A150100711	IP56	4.2
FLC-2248T / RT	A150101023 / A15010100	A1501010201 / A150101014	A150101021 / A150101012	IP56	5.5
FLC-4148T / RT	A15010130 / A15010129	A150101304 / A150101291	A150101302 / A150101292	IP56	8.6
FLC-4248T / RT	A15010152 / A15010151	A150101523 / A150101513	A150101521 / A150101512	IP56	10.5

