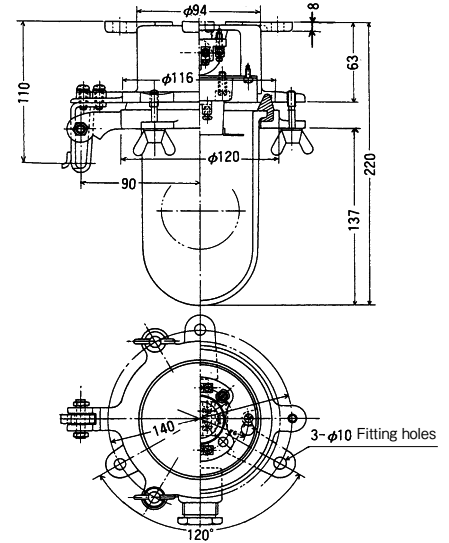
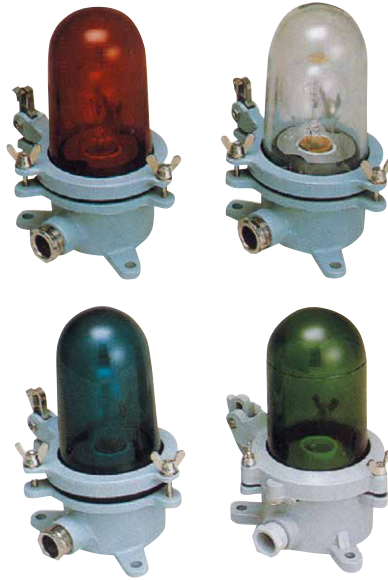


Signal lights

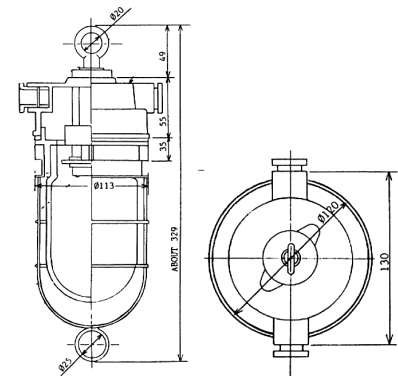
NS-1M Signal light

Rated voltage	250V
Applicable lamp	IL40W
Lamp holder	E26
Globe	F90A
Globe color	Clear, Red, Blue, Green, Amber
Material	PBT
Protection degree	IP56
Weight	2.7kg
Code No.	A13050002



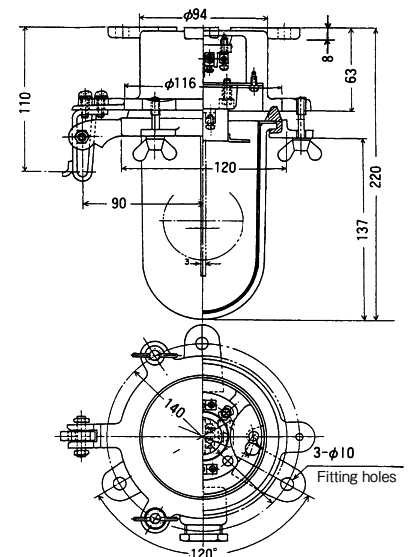
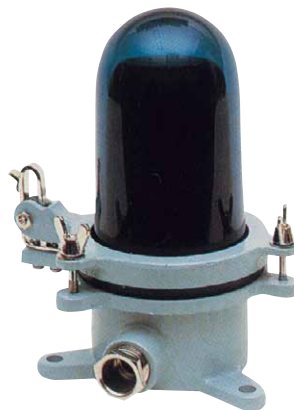
NS-2M Signal light Type 2 (Hanging type)

Rated voltage	250V
Applicable lamp	IL40W
Lamp holder	E26
Globe	S90A
Globe color	Clear, Red, Blue, Green
Material	PBT
Protection degree	IP56
Weight	2.7kg
Code No.	A13050012



1SM Steering light

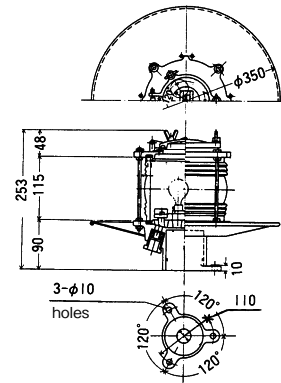
Rated voltage	250V
Applicable lamp	IL40W
Lamp holder	E26
Globe	F90AB
Globe color	Blue
Material	PBT
Protection degree	IP56
Weight	2.8kg
Code No.	A13070001



MORSE SIGNAL LIGHTS

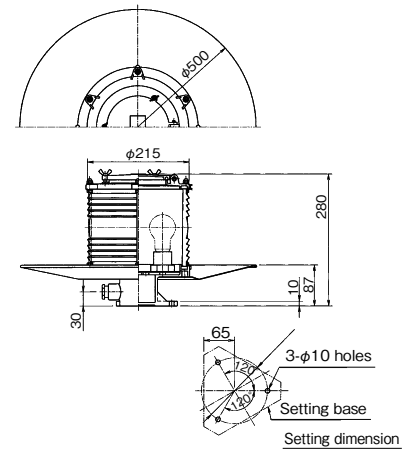
Morse signal light Type 1

Rated voltage	250V
Applicable lamp	IL20W×3
Lamp holder	B15
Lens	Type 1
Material	Cast iron
Protection degree	IP56
Weight	5.3kg
Code No.	A13010001



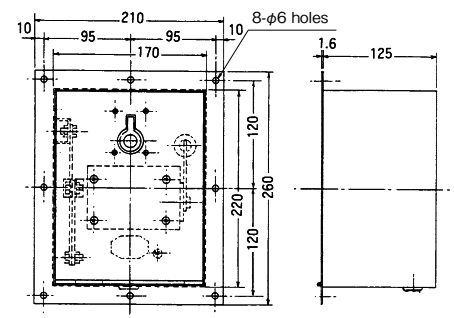
Morse signal light Type 2

Rated voltage	250V
Applicable lamp	IL20W×4
Lamp holder	E26
Lens	Type 2
Material	Cast iron
Protection degree	IP56
Weight	10.2kg
Code No.	A13010004



Type FB Morse signal key N.W.T. Flush mounting type

Material	Steel plate
Protection degree	IP22
Weight	2.1kg
Code No.	A130300031



Type M Morse signal key W.T. Wall mounting type

Material	PBT
Protection degree	IP56
Weight	2.4kg
Code No.	A13030003

