

DAYLIGHT SIGNALLING LAMPS

Portable daylight Signlling Lamps SPS-10A

Type approval No. 1240, 1241 HK (Japanese Government),
CCS (China), NMD (Norway) certificate

An legal requirement for all vessels used in international navigation in excess of 150 tons gross weight, as specified in "Safety of Life at Sea" (SOLAS). Ministry of transport approved.



Characteristics

- ① Signal operation is simplified
Moreover transmission rate of 12 wards per minute can be achieved.
- ② Special halogen lamp is used getting long life and stable luminous flux.
- ③ The weight of lamp housing is very light using aluminum material.
- ④ Neutral filter and color filter can attach very easy.

Container box



Battery



Battery charger



Portable daylight Signlling Lamps

| | |
|----------------------------|----------------------|
| Model | SPS-10A |
| Rated voltage | 24V |
| Lamps | 24V 60W Halogen lamp |
| Max.luminous intensity(cd) | Over 60,000cd |
| Beam spread(deg.) | 6° |
| Telescope mag. | 4 |
| Telescope visual angle | 3° |
| Protection degree | IP56 |
| Weight | 2.55kg |
| Code No. | 1731-4A |

Battery

| | |
|--------------------------|-------------------------|
| Model | PXL12090F2-W |
| Circuit | (2.0Vx6cell) x2circuits |
| Capacity | 9Ah(20HR) |
| Voltage | DC 24V(12Vx2) |
| Discharge finish voltage | DC 20.4V |
| Use temperature | Charge 0°C~40°C |
| | Discharge -20°C~50°C |
| Storage | Storage -20°C~40°C |
| | |
| Weight | 6.2kg |
| Code No. | B4A02461 |

Battery charger

| | |
|-------------------|---|
| Model | BCN-24S |
| Input | AC100V~AC240V, 50/60Hz 0.72A(AC100V)/0.37A(AC220V) |
| Output | DC 27.3V |
| Charging system | Constant current maintenance charge |
| Rated | Continuation |
| Use temperature | 0°C~40°C |
| Protection degree | IP20 |
| Weight | 1.2kg |
| Code No. | 1733NA |

DAYLIGHT SIGNALLING LAMPS

Option (Daylight signaling lamps)

Color filter and Reduction filter



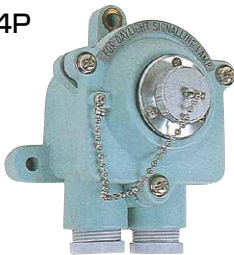
Scope



Receptacle RE-254FP



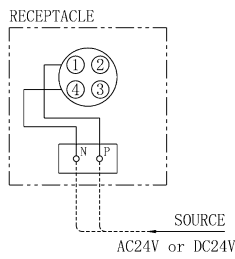
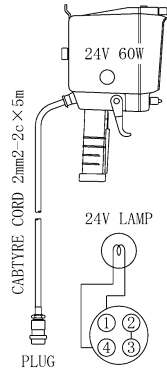
Receptacle RE-254P



Wiring (example)

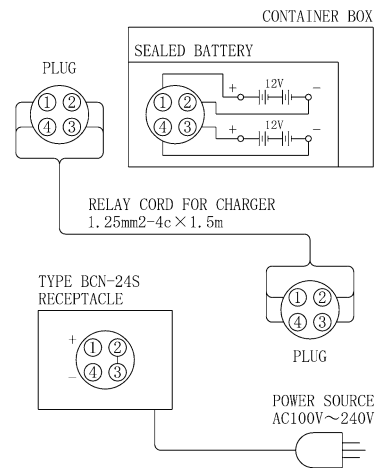
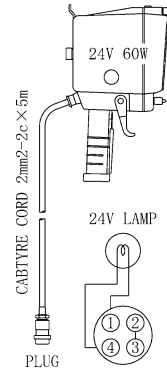
Case1 (Excluding option)

MODEL:SPS-10A SIGNALLING LAMP



Case2 (Including option)

MODEL:SPS-10A SIGNALLING LAMP



N.W.T. & W.T. Receptacle

| Model | RE-254FPA | RE-254PA |
|-------------------|-----------|----------|
| Capacity | 24V 5A | 24V 5A |
| Protection degree | IP20 | IP56 |
| Weight | 0.26kg | 0.4kg |
| Code No. | 1741-4CA | 1741-3CA |