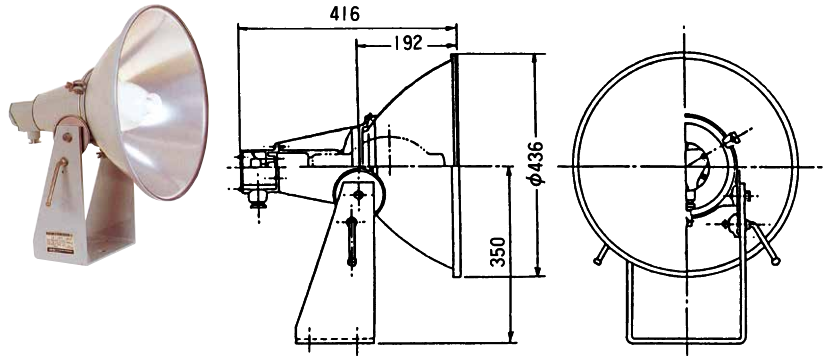


INCANDESCENT FLOOD LIGHT

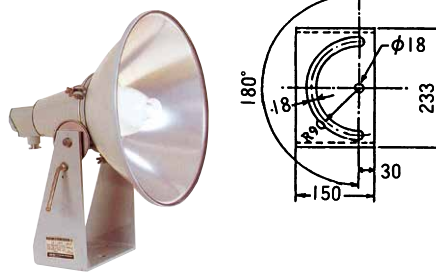
FDL-27A Incandescent lamp 1000W

Installation	Horizontal	Vertical
Elevation angle	Up 90° Down 45°	Left & right each 45°
Turning angle	Left & right each 60°	
Lamps	Incandescent 1000W	
Protection degree	IP56	
Color	Munsell 7.5BG7/2	
Weight	19.0kg	
Code No.	A14000015	



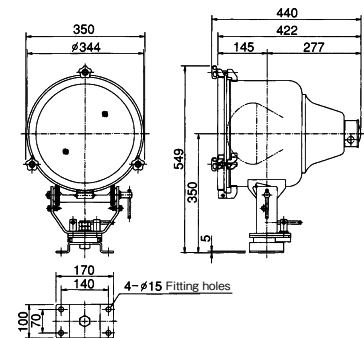
FDL-24A Incandescent lamp 300~500W

Installation	Horizontal	Vertical
Elevation angle	Up 90° Down 45°	Left & right each 45°
Turning angle	Left & right each 60°	
Lamps	Incandescent 300~500W	
Protection degree	IP56	
Color	Munsell 7.5BG7/2	
Weight	19.0kg	
Code No.	A14000015	



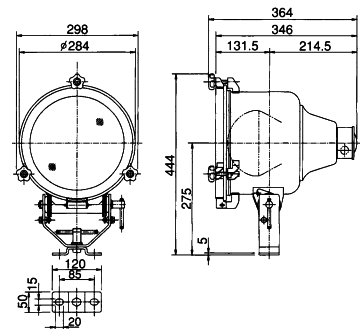
FDL-R24 Incandescent lamp 750~1000W

Elevation angle	Up 55° Down 60°
Turning angle	360°
Lamps	RF750WH, RF1000WH
Protection degree	IP56
Color	Munsell 7.5BG7/2
Weight	9.9kg
Code No.	1824



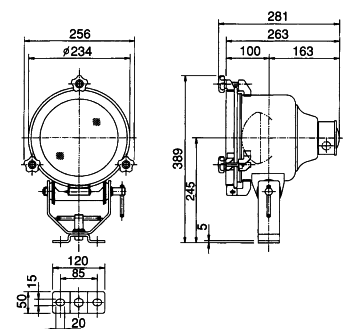
FDL-R23 Incandescent lamp 300~500W

Elevation angle	Up 60° Down 60°
Turning angle	360°
Lamps	RS/RF300,500WH
Protection degree	IP56
Color	Munsell 7.5BG7/2
Weight	5.8kg
Code No.	1823



FDL-R22 Incandescent lamp 100~200W

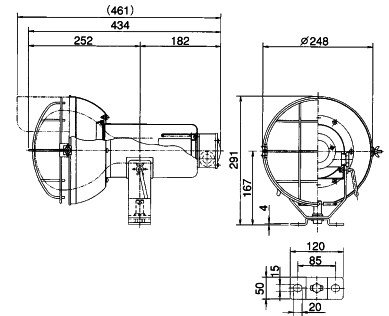
Elevation angle	Up 70° Down 60°
Turning angle	360°
Lamps	RS/RF100,150,200WH
Protection degree	IP56
Color	Munsell 7.5BG7/2
Weight	4.5kg
Code No.	1822



INCANDESCENT FLOOD LIGHT

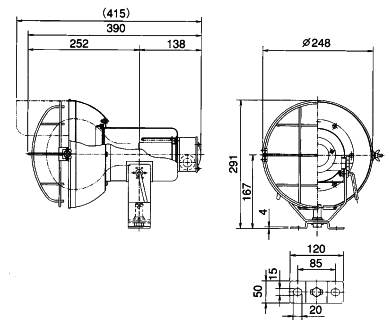
FDL-R14 Incandescent lamp 750~1000W

Elevation angle	Up 46° Down 45°
Turning angle	360°
Lamps	RF750WH, RF1000WH
Protection degree	IP55
Color	Munsell 7.5BG7/2
Weight	3.3kg
Code No.	1813T



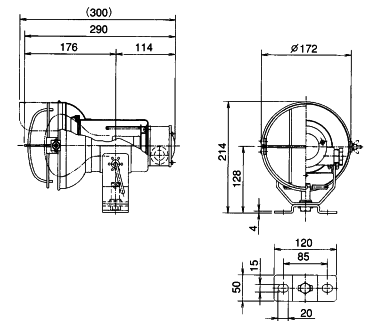
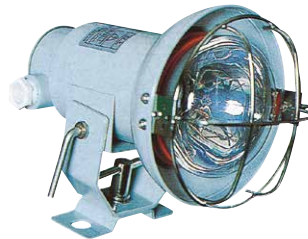
FDL-R13 Incandescent lamp 750~1000W

Elevation angle	Up 55° Down 60°
Turning angle	360°
Lamps	RS/RF300, 500WH JD250, 500W/M
Protection degree	IP55
Color	Munsell 7.5BG7/2
Weight	3.2kg
Code No.	1812T



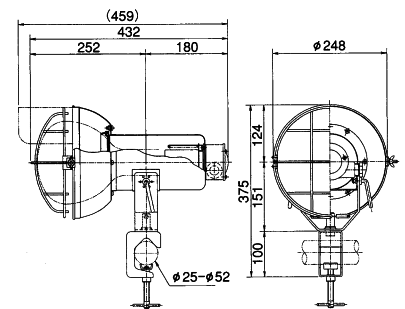
FDL-R12 Incandescent lamp 100~200W

Elevation angle	Up 58° Down 45°
Turning angle	360°
Lamps	RS/RF100, 150, 200WH
Protection degree	IP55
Color	Munsell 7.5BG7/2
Weight	2.2kg
Code No.	1811T



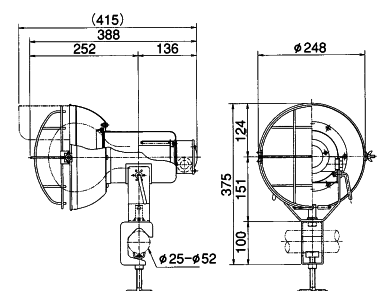
FDL-R14V Vice type Incandescent lamp 750~1000W

Elevation angle	Up 46° Down 45°
Turning angle	360°
Lamps	RF750WH, RF1000WH
Protection degree	IP55
Color	Munsell 7.5BG7/2
Weight	3.8kg
Code No.	1813TV



FDL-R13V Vice type Incandescent lamp 300~500W / Halogen lamp 250~500W

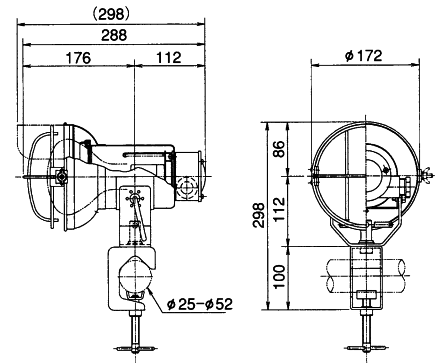
Elevation angle	Up 67° Down 45°
Turning angle	360°
Lamps	RS/RF300, 500WH JD250, 500W/M
Protection degree	IP55
Color	Munsell 7.5BG7/2
Weight	3.7kg
Code No.	1812TV



INCANDESCENT FLOOD LIGHT

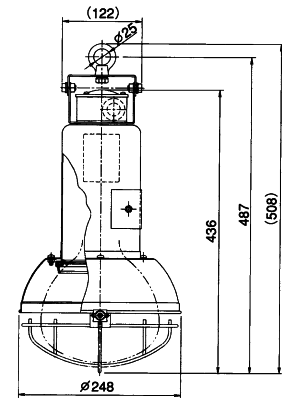
FDL-R12V Vice type Incandescent lamp 100~200W

Elevation angle	Up 58° Down 45°
Turning angle	360°
Lamps	RS/RF100, 150, 200WH
Protection degree	IP55
Color	Munsell 7.5BG7/2
Weight	2.7kg
Code No.	1811TV



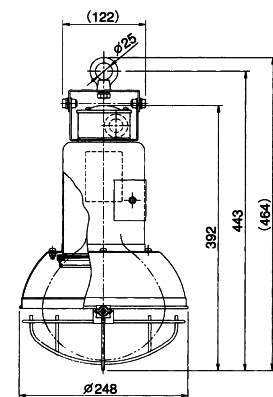
FDL-R14M Hanging type Incandescent lamp 750~1000W

Lamps	RF750WH, 1000WH
Protection degree	IP55
Color	Munsell 7.5BG7/2
Weight	2.8kg
Code No.	1813TM



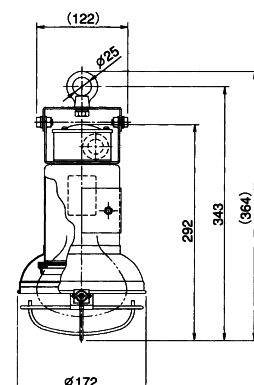
FDL-R13M Hanging type Incandescent lamp 300~500W / Halogen lamp 250~500W

Lamps	RS/RF300, 500WH JD250, 500W/M
Protection degree	IP55
Color	Munsell 7.5BG7/2
Weight	2.7kg
Code No.	1812RM



FDL-R12M Hanging type Incandescent lamp 100~200W

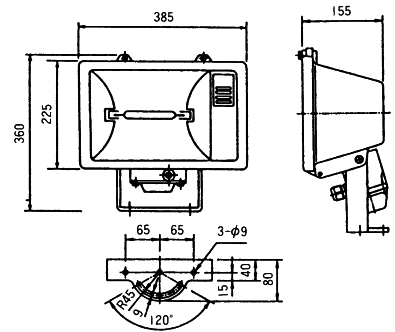
Lamps	RS/RF100, 150, 200WH
Protection degree	IP55
Color	Munsell 7.5BG7/2
Weight	1.9kg
Code No.	1811TM



HALOGEN FLOOD LIGHT

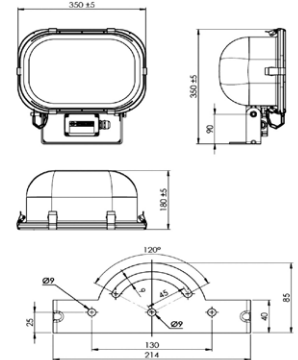
FDL-H500NL/H1000NL Halogen lamp 500~1000W

Model	FDL-H500NL	FDL-H1000NL
Elevation angle	Up 90° Down 45°	
Turning angle	120°	
Lamps	"J" type 500W	"J" type 1000W
Protection degree	IP56	
Color	Munsell N-9.5	
Weight	4.6kg	
Code No.	A140300011	A140300012



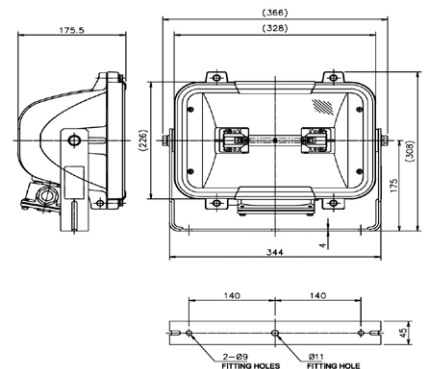
ST76 Halogen lamp 200~500W

Elevation angle	Up 90° Down 45°
Turning angle	120°
Lamps	"J" type 200, 300, 500W
Protection degree	IP67
Color	Munsell N-9.5
Weight	5.5kg
Code No.	A14030101



FDL-H555 Halogen lamp 500W

Elevation angle	Up 90° Down 45°
Lamps	J type 500W
Protection degree	IP56
Color	Munsell N-9.5
Weight	6.2kg
Code No.	1834



FDL-H333 Halogen lamp 200~300W

Elevation angle	Up 50° Down 60°
Lamps	J type 200, 300W
Protection degree	IP56
Color	Munsell N-9.5
Weight	2.0kg
Code No.	1832

