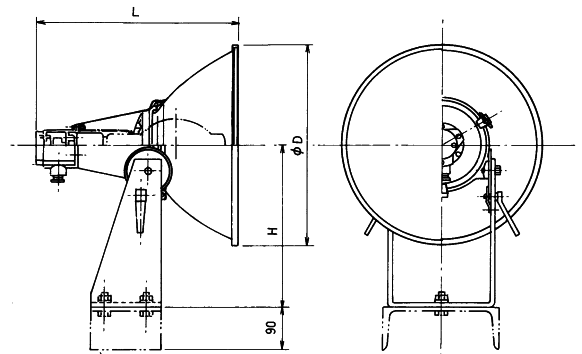


# HID FLOOD LIGHT

For the reflection mirror of its floodlight, Sanshin uses a well-polished aluminum sheet chemically coated with high purity silica glass at high temperature. Accordingly, the floodlight features high reflective efficiency; display excellent resistance to corrosion, heat, chemicals and contamination; and maintains brightness for long time. As main material for the lamp body, stainless steel and aluminum, which have excellent anti-corrosive properties, are adopted, with bake-coating performed after anti-corrosive treatment.

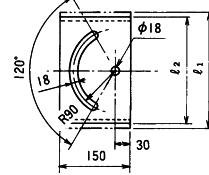
## FDL-27 Mercury/Sodium/ Metal Halide HID 700~1000W

Installation	Horizontal	Vertical
Elevation angle	UP 90° DOWN45°	Right & left each 45°
Turning angle	Right & left each 60°	
Applicable lamp	HID 700~1000W	
Protection degree	IP 56	
Color	Munsell 7.5BG7/2	
Weight	19.0 Kg	
Code No.	A14000012	



## FDL-24 HID300~400W

Installation	Horizontal	Vertical
Elevation angle	UP 90° DOWN45°	Right & left each 45°
Turning angle	Right & left each 60°	
Applicable lamp	HID 700~1000W	
Protection degree	IP 56	
Color	Munsell 7.5BG7/2	
Weight	19.0 Kg	
Code No.	A14000012	



(mm)

Model	D	H	L	l 1	l 2
FDL-24(A)	436	350	432	250	233
FDL-27(A)	586	435	526	319	250

## FDL-271S(Narrow beam type) / FDL-271D(Wide beam type) HID700~1000W

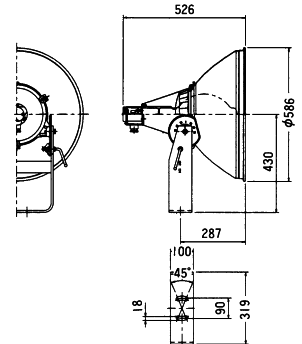
Elevation angle	Up 80° Down 45°	
Turning angle	45°	
Applicable lamp	HID 700~1000W	
Protection degree	IP 56	
Color	Munsell 7.5BG7/2	
Weight	9.8 Kg	
Code No.	(S) A140000210	(D) A140000211



S



D



## FDL-241S(Narrow beam type) / FDL-241D(Wide beam type) HID300~400W

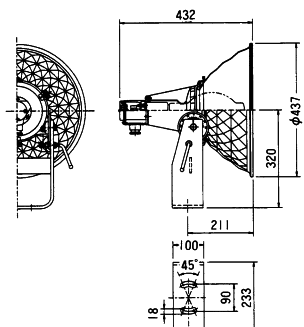
Elevation angle	Up 80° Down 45°	
Turning angle	45°	
Applicable lamp	HID 300~400 W	
Protection degree	IP 56	
Color	Munsell 7.5BG7/2	
Weight	9.8 Kg	
Code No.	(S) A140000201	(D) A140000202



S



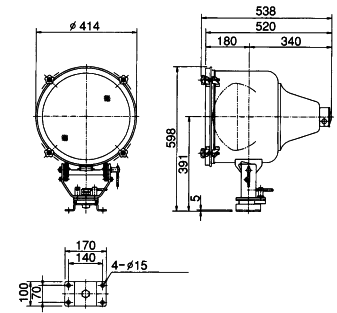
D



# HID FLOOD LIGHT

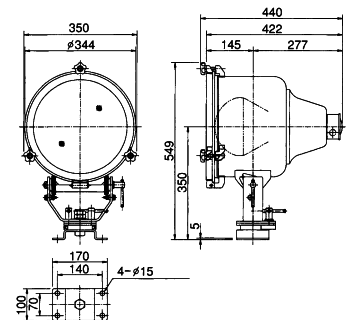
## FDL-R27 HID700W~1000W

Elevation angle	Up 55° Down 60°
Turning angle	360°
Applicable lamp	HR700N, HR1000N HRF700X, HRF1000X NHR660L, NHR940L
Protection degree	IP56
Color	Munsell 7.5BG7/2
Weight	13.8kg
Code No.	1825



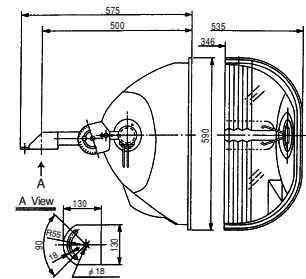
## FDL-R24 HID110W~400W

Elevation angle	Up 55° Down 60°
Turning angle	360°
Applicable lamp	HRF200,250,300,400X NHR150,250,400/X NHR110,180,220,270,360,450L/DL
Protection degree	IP56
Color	Munsell 7.5BG7/2
Weight	9.9kg
Code No.	1824



## HOF-302 Metal halide type 2000W~3000W

Elevation angle	Down 55°
Turning angle	90°
Applicable lamp	2kW, 3kW
Protection degree	IP56
Color	Munsell N-6.0
Weight	9.1kg
Code No.	1840-1



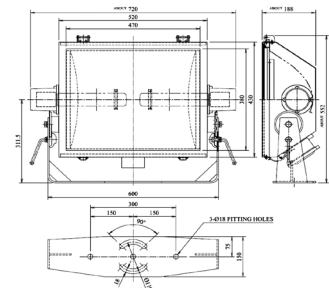
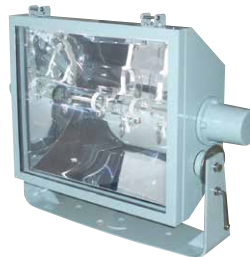
Construction of article code for Square shape sodium flood light

F D L - 2 4 S S I - W  
 ① ② ③

- ① 4 : Lamp capacity 400W    7 : Lamp capacity 700W
- ② S : 1 lamp                      W : 2 lamp (400W only)
- ③ W : Wide angle                NW : Narrow and Wide angle  
N : Narrow angle

## FDL-27SST Square shape flood light

Model	FDL-27SST
Elevation angle	Up 30° Down 45°
Turning angle	45°
Applicable lamp	700Wx1
Protection degree	IP56
Color	Munsell 7.5BG7/2
Weight	25kg
Code No.	A14000033



## FDL-24SST/SWT Square shape flood light

Model	FDL-24SST	FDL-24SWT
Elevation angle	Up 30° Down 45°	
Turning angle	45°	
Applicable lamp	400Wx1	400Wx2
Protection degree	IP56	
Color	Munsell 7.5BG7/2	
Weight	20kg	
Code No.	A14000032	A14000029

