

# NEW Search-ROBO

- Stylish design
- Light weight by the aluminum alloy die casting body
- Special finishing and high grade painting for the anti-corrosion
- Remote control type :  
Adopted the elevation function which is moved head part only.  
Manual control type :  
Against the vibration structures by increasing size with supporting arm.
- Available changed beam angle by focus adjustment.  
Remark : Xenon lamp only
- Wide range of selection for multipurpose

Range of New Search -ROBO series					
Type of lamps	Model	Power source	Lamp capacity	Max. luminous intensity (cd)	Beam spread (°) (10% of Max. luminous intensity)
Xenon lamp	RGX	DC24V	150W	660,000cd	4°
		AC100V 1φ50/60Hz			
		AC220V 1φ50/60Hz			
Halogen lamp	RGH	DC24V	300W	250,000cd	8.5°(vertical) 10°(horizontal)
		AC100V	300W	210,000cd	9.5°(vertical) 14°(horizontal)

Remarks

1. Including the suitable ballast for xenon lamp type
2. Including the suitable control panel for remote control type
3. Specify "Type of operation""Voltage" and "Lamp capacity" when the order confirmation
4. Portable type available on request.
5. Including the switching power supply for remote control type of AC power

## Remote control type



RGH300E

Lamp	Xenon lamp	Halogen lamp
Model	RGX150EF	RGH300E
Elevation angle	Up	45°
	Down	15°
Turning angle	Left and right each 170°	Left and right each 170°
Elevation speed	Approx. 3.8° / sec.	Approx. 3.8° / sec.
Turning speed	Approx. 20° / sec.	Approx. 20° / sec.
Focus adjustment	Electric remote control	Fixed
Protection degree	IP56	IP56
Color	Mumcell N-9.5(White)	Mumcell N-9.5(White)
Ballast	BXE-150D Or BXE-150A	----
Remote control panel	CPF196	CPF195
Weight	13.0kg	11.5kg

Voltage	Code no.	
DC24V	1163EX	1161EH
AC100V	1163EX100	1161EH100
AC220V	1163EX220	--

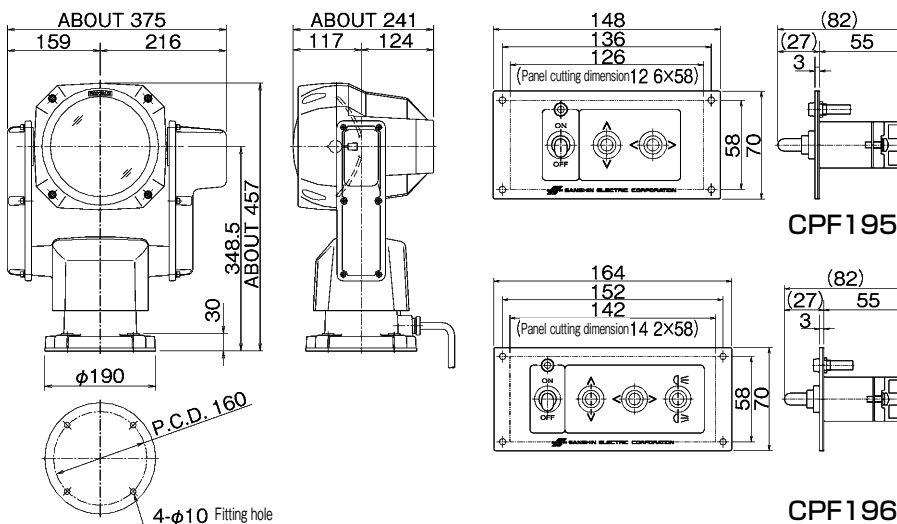
## Remote control panel



CPF195



CPF196



CPF195

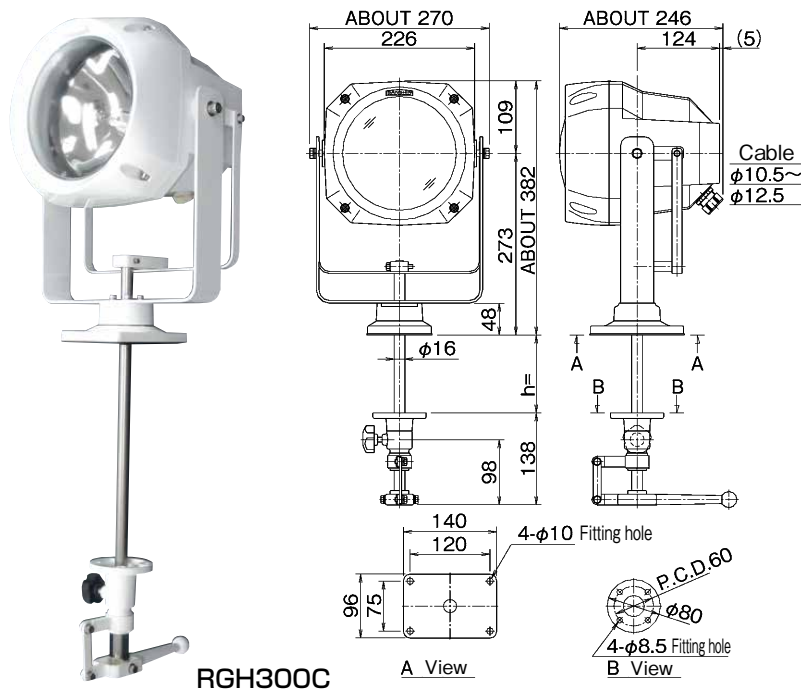
CPF196

# NEW Search-ROBO

## Cabin control type

Lamp	Xenon lamp	Halogen lamp
Model	RGX150C	RGH300C
Elevation angle	Up	30°
	Down	30°
Turning angle	Left and right each 180° without stopper	
Protection degree	IP56	
Color	Mumsell N-9.5 (White)	
Weight	14.1kg	12.6kg

Voltage	Code no.	
DC24V	1163CX	1161CH
AC100V	1163CX	1161CH
	100	100
AC220V	1163CX 220	---



## Manual control type

Lamp	Xenon lamp	Halogen lamp
Model	RGX150D	RGH300D
Elevation angle	Up & Down 30°	Up & Down 45°
	without stopper	
Turning angle	Right & Left 30°	
Protection degree	IP56	
Color	Mumsell N-9.5 (White)	
Weight	7.5kg	6kg

Voltage	Code no.	
DC24V	1163DX	1161DH
AC100V	1163DX	1161DH
	100	100
AC220V	1163DX 220	---

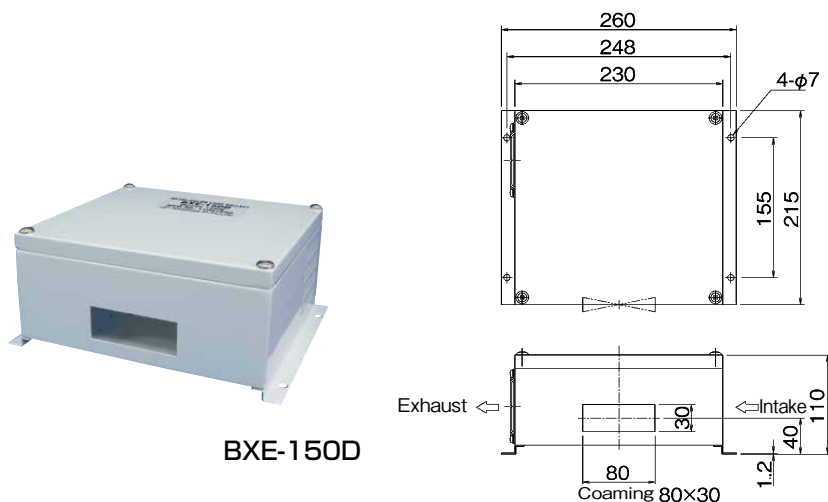


## Ballast & Switching power supply

Ballast		
Lamp	Xenon lamp	
Model	BXE-150D	BXE-150A
Input voltage	DC24V	AC100/220V
Code no.	1029	1029
	BXE-150D	BXE-150A

Note : Noise filter is available on request

Switching power supply	
Model	S8VS-01524
Code no.	C0200526

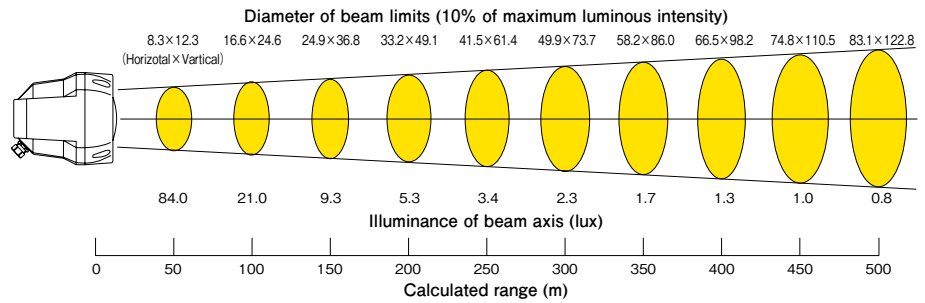


# NEW Search-ROBO

## Characteristic Beam Range New Search - ROBO series

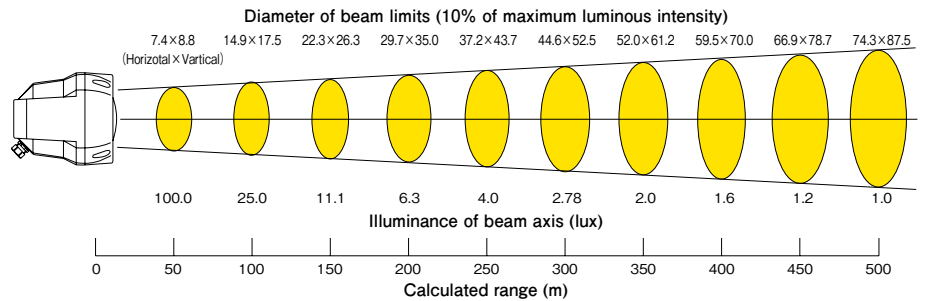
### AC100V 300W Halogen lamp

- Lamp type :AC100V 300W Halogen lamp
- Max. luminous intensity : 210,000cd
- Beam spread : 9.5° (vertical) x 14° (horizontal)  
(10% of peak beam candlepower)
- Atmospheric transmission factor : 100%



### DC24V 300W Halogen lamp

- Lamp type :DC24V 300W Halogen lamp
- Max. luminous intensity : 250,000cd
- Beam spread : 8.5° (vertical) x 10° (horizontal)  
(10% of peak beam candlepower)
- Atmospheric transmission factor : 100%



### 150W Xenon lamp

- Lamp type : 150W xenon lamp
- Max. luminous intensity : 660,000cd
- Beam spread : 4°  
(10% of peak beam candlepower)
- Atmospheric transmission factor : 100%

