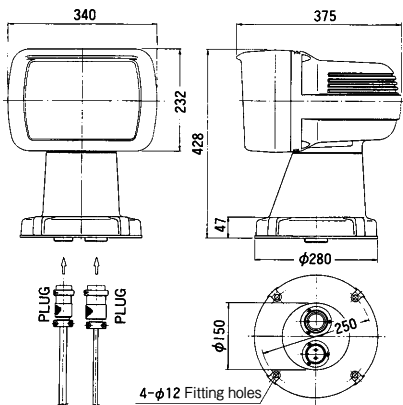


XENON LAMP TYPE REMOTE CONTROLLED SEARCHLIGHT HRX-300

Reflector dia.	φ218mm - 150cut
Lamps	Xenon lamp 300W
Max. luminous intensity	8,000,000cd
Beam spread	Approx. 15°
Range (1lx)	Approx. 2800m
Focus adjustment	Electric remote control
Elevation & Turning	Electric remote control
Elevation angle	Up 20° Down 22°
Turning angle	360°(endless)
Elevation speed	Up approx. 3.6° / sec. Down approx. 1.8° / sec.
Turning speed	High approx. 24° / sec. Low approx. 25° / sec.
Material	Aluminum alloy die casting
Protection degree	IP56
Weight	24kg
Color	Munsell N-9.5 (White)
Code no.	1100-3(100V) 1100-4(220V)

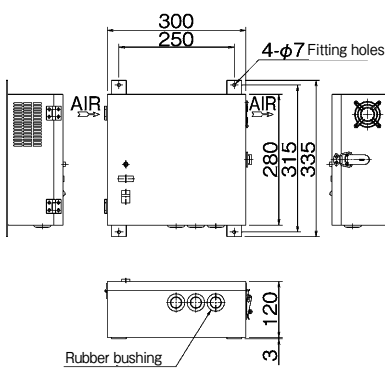
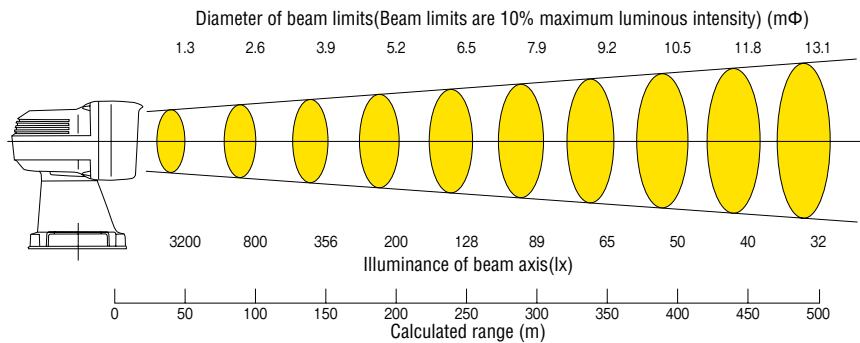


Dimension and specification are remote control type



Range of 300W xenon search light

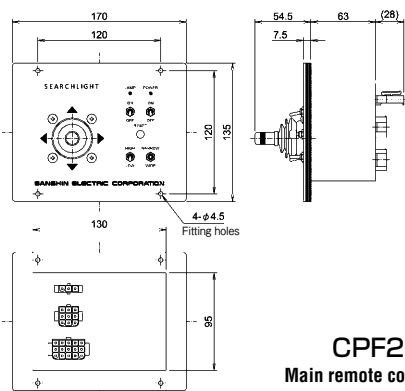
- Lamp ... 300W xenon lamp
- Max. luminous intensity ... 8,000,000cd
- Beam spread ... 1.5°
- Atmospheric transmission factor ... 100%



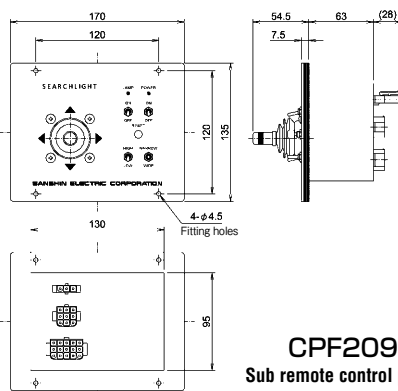
Model	BXE-301	BXE-302
Rated voltage	AC100V ±10%	AC220V ±10%
Phase	1	
Frequency	50/60Hz	
Input power	640VA	
Input current	6.4A	2.9A
Cooling system	Force air cooling	
Protection degree	IP11	
Weight	8.2kg	
Code no.	1110-5	1110-6



BXE-301/2



CPF205
Main remote control panel



CPF209
Sub remote control panel

Remote control panel CPF205



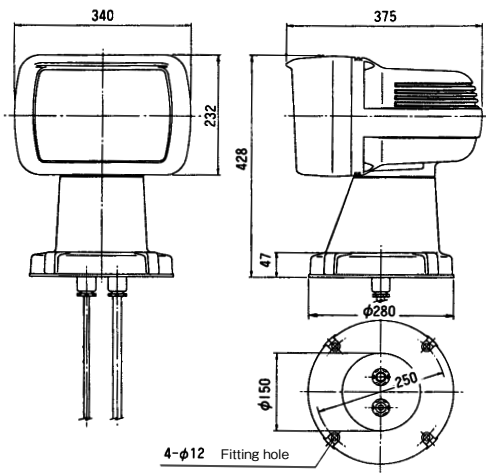
Available 2-station control by a sub remote control panel (Option)

XENON LAMP TYPE REMOTE CONTROLLED SEARCHLIGHT

Reflector dia.	φ218mm - 150cut
Rated voltage	DC24V
Rated current	8.5A
Lamps	Xenon lamp 150W
Max. luminous intensity	6,000,000cd
Ballast	Built-in
Beam spread	Approx. 1°
Range (1lx)	Approx. 2400m
Focus adjustment	Electric remote control
Elevation & Turning	Electric remote control
Elevation angle	Up 18° Down 30°
Turning angle	360° (endless)
Elevation speed	Approx. 7.5°/sec.
Turning speed	High approx. 24°/sec. Down approx. 11°/sec.
Material	Aluminum alloy die casting
Protection degree	IP56
Weight	24kg
Color	Munsell N-9.5 (White)
Code no.	11082A

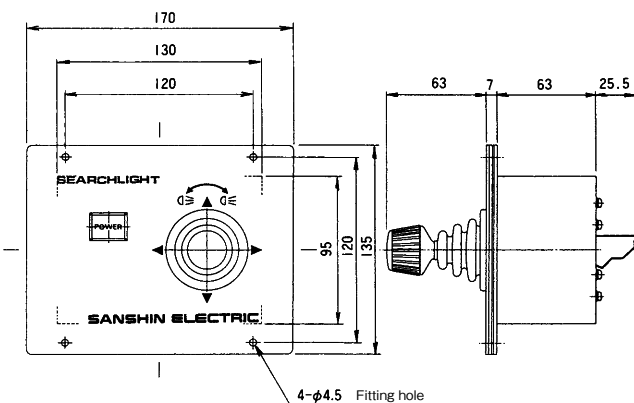
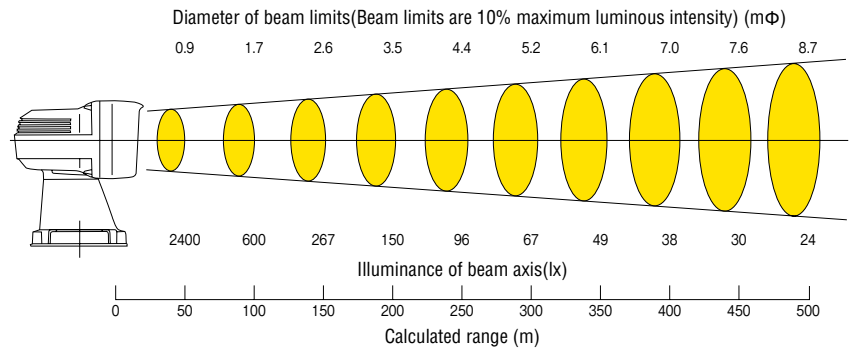


Dimension and specification are remote control type



Range of 150W xenon search light

- Lamp ... 150W xenon lamp
- Beam spread ... 1°
- Max. luminous intensity ... 6,000,000cd
- Atmospheric transmission factor ... 100%



Remote control panel



CPF99 Main & Sub common

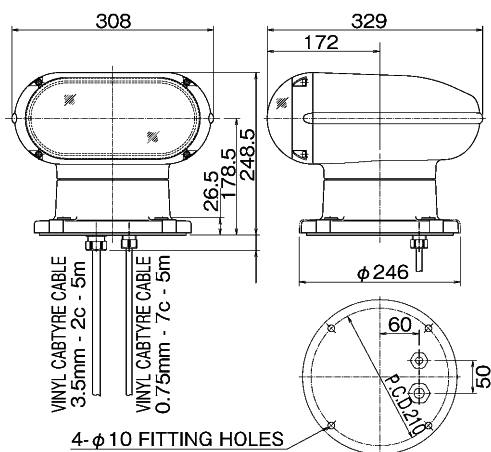
Available 2-station control by a sub remote control panel (Option)

METAL-HALIDE LAMP TYPE REMOTE CONTROLLED SEARCHLIGHT

Reflector dia.	φ110mm - 90cut
Rated voltage	DC12V / DC24V
Rated current	Approx.8A / Approx. 4A
Lamps	Metal halide lamp 35Wx2 SCB-0155
Max. luminous intensity	600,000cd
Beam spread	Approx.7°
Range (1lx)	Approx.700m
Elevation & Turning	Electric remote control
Elevation angle	Up 15° Down 30°
Turning angle	360°(endless)
Elevation speed	Up approx. 7° / sec. Down approx. 6° / sec.
Turning speed	High approx. 30°/sec. Down approx. 11°/sec
Material	Aluminum alloy die casting
Protection degree	IP56
Weight	13.5kg
Color	Munsell N-9.5 (White)
Code no.	1122



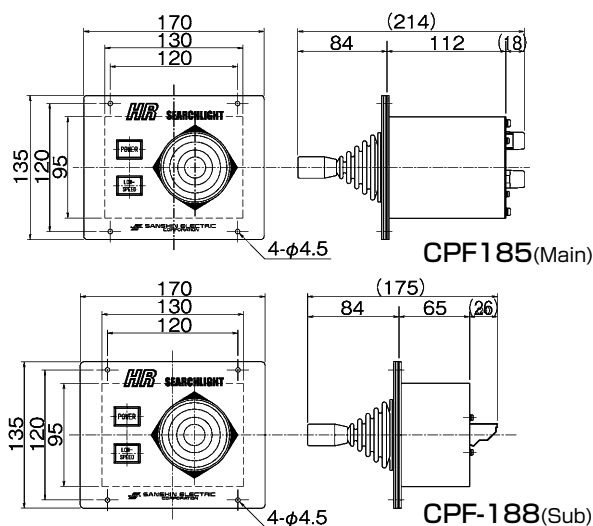
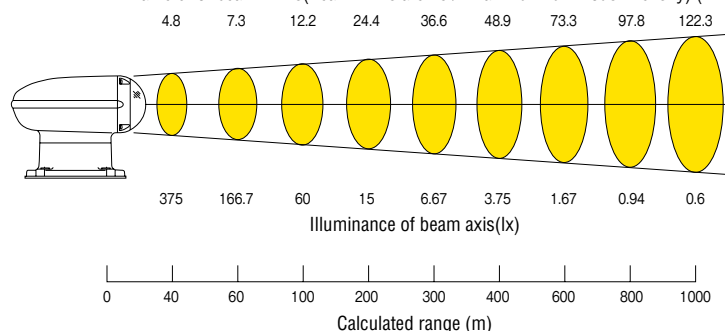
Dimension and specification are remote control type



Range of 150W xenon search light

- Lamp ... 35Wx2 xenon lamp
- Max. luminous intensity ... 600,000cd
- Beam spread ... 7°
- Atmospheric transmission factor ... 100%

Diameter of beam limits(Beam limits are 10% maximum luminous intensity) (mΦ)



Remote control panel CPF185 (Main)



Available 2-station control by a sub remote control panel (Option)

HALOGEN LAMP TYPE REMOTE CONTROLLED SEARCHLIGHT

Reflector dia.	φ110mm - 70cut	
Rated voltage	DC12V	DC24V
Rated current	10A	5A
Lamps	Halogen lamp 55W x 2 (G6.35) JCD12V-55WDX JCD24V-55WDX	
Max. luminous intensity	200,000cd	160,000cd
Beam spread	Right & Left	Approx. 7°
	Up & Down	Approx. 5°
Range (1lx)	Approx.440m	Approx.400m
Focus adjustment	Fixing	
Elevation & Turning	Electric remote control	
Elevation angle	Up 9° Down 17°	
Turning angle	360°(endless)	
Elevation speed	Approx. 2.8° / sec.	
	High 31°/sec. Low 20°/sec.	
Material	Aluminum alloy die casting	
Protection degree	IP56	
Weight	3.25kg	
Color	Munsell N-9.5 (White)	
Code no.	U Type 1151U	U Type 1152U
	G Type 1151G	G Type 1152G

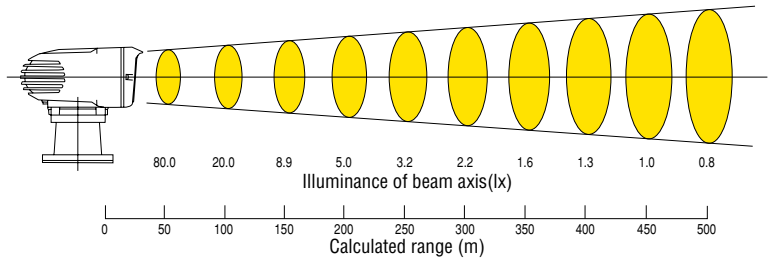


Dimension and specification are remote control type

Range of 55W x 2 Halogen search light

- Lamp ... Halogen 12V55W X 2
- Max. luminous intensity ... 200,000cd
- Beam spread ... 5° (Verticality) X7° (Horizontal)
- Atmospheric transmission factor ... 100%

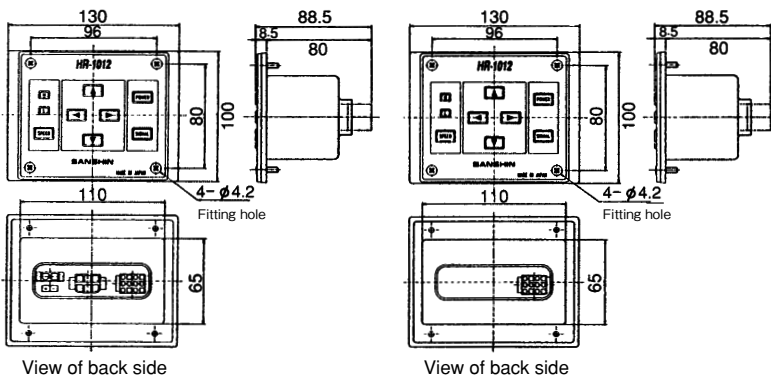
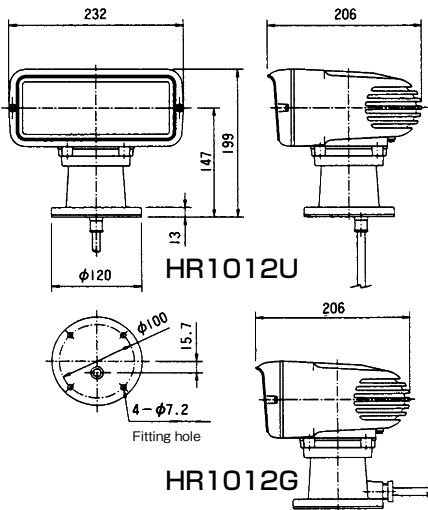
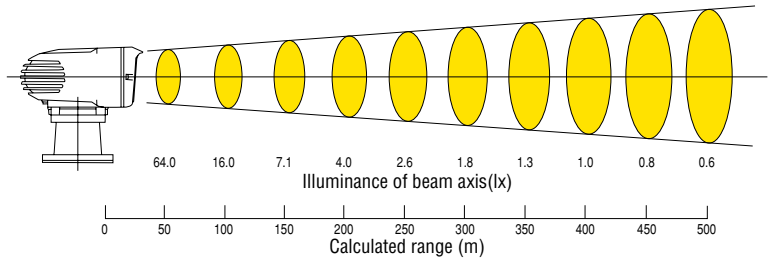
Diameter of beam limits(Beam limits are 10% maximum luminous intensity) (mΦ)
4.4X6.1 8.7X12.3 13.1X18.4 17.5X24.6 21.9X30.7 26.2X36.8 30.6X43.0 35.0X49.1 39.4X55.3 43.7X61.4



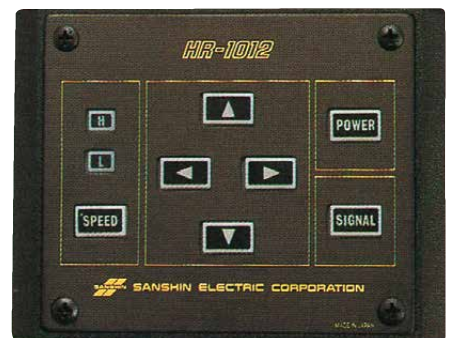
Range of 55W x 2 Halogen search light

- Lamp ... Halogen 24V55W X 2
- Max. luminous intensity ... 160,000cd
- Beam spread ... 5° (Verticality) X7° (Horizontal)
- Atmospheric transmission factor ... 100%

Diameter of beam limits(Beam limits are 10% maximum luminous intensity) (mΦ)
4.4X6.1 8.7X12.3 13.1X18.4 17.5X24.6 21.9X30.7 26.2X36.8 30.6X43.0 35.0X49.1 39.4X55.3 43.7X61.4



Remote control panel



Available 2-station control by a sub remote control panel (Option)

CPF-53(Main)

CPF-54(Sub)

HALOGEN LAMP TYPE REMOTE CONTROLLED SEARCHLIGHT

Reflector dia.	φ110mm	
Rated voltage	DC12V	DC24V
Rated current	5A	3A
Lamps	Halogen lamp H2 12V 55W	Halogen lamp H2 24V 70W
Max. luminous intensity	100,000cd	80,000cd
Beam spread	Approx. 7°	
Range (1lx)	Approx. 300m	Approx. 280m
Focus adjustment	Fixed	
Elevation & Turning	Electric remote control	
Elevation angle	Up 20° Down 20°	
Turning angle	360°(endless)	
Elevation speed	Approx. 5.7°/sec.	
Turning speed	Approx. 27°/sec.	
Material	Aluminum alloy die casting	
Protection degree	IP56	
Weight	2.9kg	
Color	Munsell N-9.5 (White)	
Code no.	1154-1	1154-2

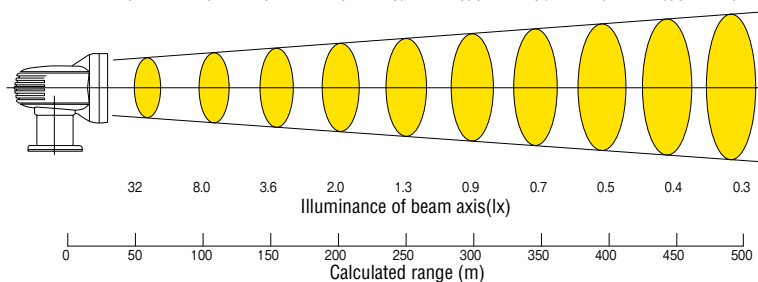
Dimension and specification are remote control type



Range of 70W Halogen search light

- Lamp Halogen 24V70W
- Beam spread.....7°
- Max. luminous intensity...80,000cd
- Atmospheric transmission factor...100%

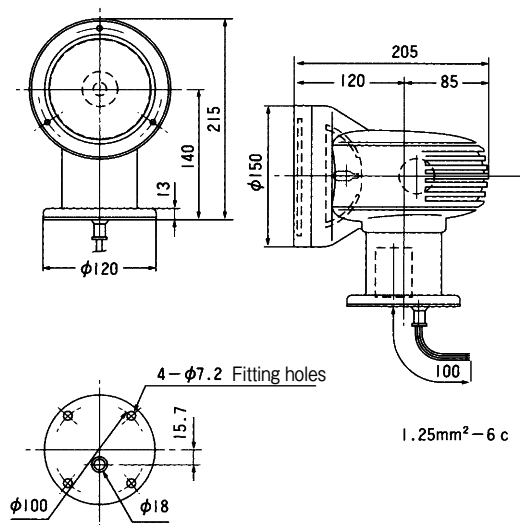
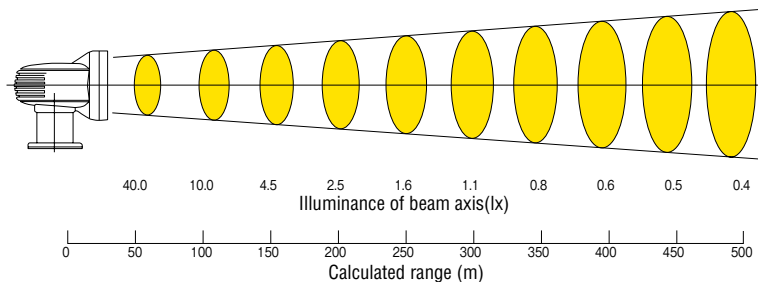
Diameter of beam limits (Beam limits are 10% maximum luminous intensity) (mΦ)



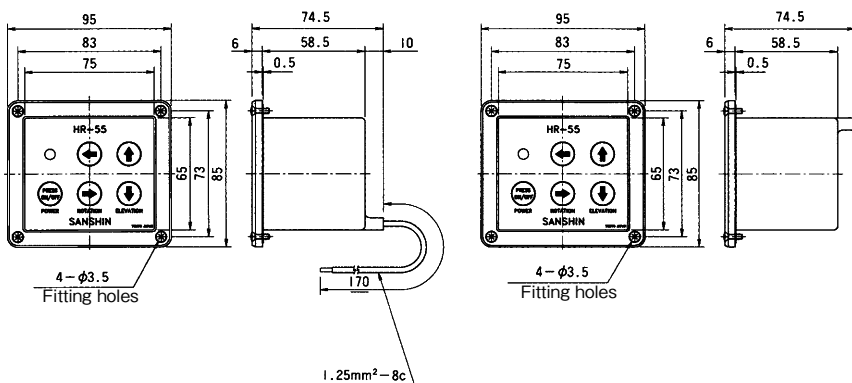
Range of 15W Halogen search light

- Lamp Halogen 12V55W
- Beam spread.....7°
- Max. luminous intensity...100,000cd
- Atmospheric transmission factor...100%

Diameter of beam limits (Beam limits are 10% maximum luminous intensity) (mΦ)



1.25mm²-6c



CPF-79(Main)

CPF-84(Sub)

Remote control panel



Available 2-station control by a sub remote control panel (Option)