

# INCANDESCENT SEARCHLIGHT

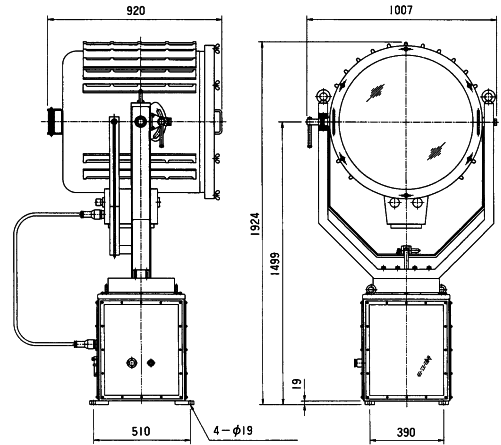
■ Available halogen lamp type on request.

## Remote control type

■ This remote controlled searchlight uses a incandescent lamp as the light source, and allows for elevation, turning and focusing to be performed with a remote control panel.

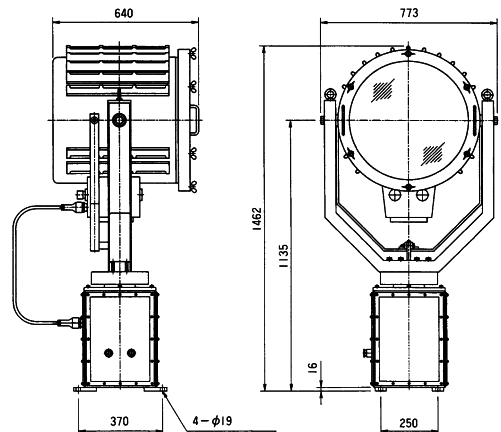
### E-60M2 <3kW>

Reflector dia.	φ640mm	
Lamp	G200 G19/54x60 3000W	
Voltage	AC100V/AC220V	
Max. luminous intensity	100V	7,000,000cd
	220V	6,000,000cd
Range of distance	Approx. 2400m (AC220V lamp)	
Beam spread	Approx. 6°	
operation voltage	AC100 1φ 60Hz	
Elevation angle	Up 20° Down 30°	
Turning angle	Right & left each 170°	
Elevation speed	Approx. 6.1°/sec.	
Turning speed	Approx. 10.7°/sec.	
Protection degree	IP45	
Weight	230kg	
Code no.	1025-4	



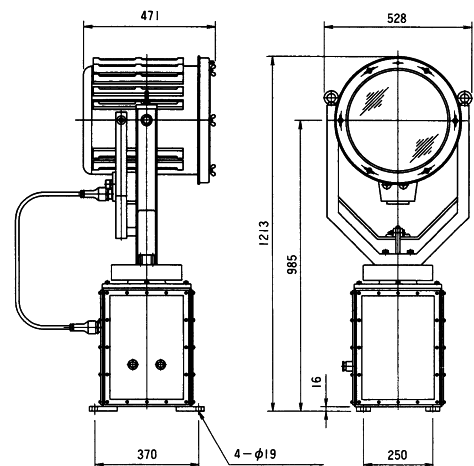
### E-40 <2kW>

Reflector dia.	φ430mm	
Lamp	G150 G19/54x60 2000W	
Voltage	AC100V/AC220V	
Max. luminous intensity	100V	3,000,000cd
	220V	2,500,000cd
Range of distance	Approx. 1500m (AC220V lamp)	
Beam spread	Approx. 6°	
operation voltage	AC100 1φ 60Hz	
Elevation angle	Up 34° Down 18°	
Turning angle	Right & left each 170°	
Elevation speed	Approx. 2°/sec.	
Turning speed	Approx. 11°/sec.	
Protection degree	IP45	
Weight	149kg	
Code no.	1023L	



### E-30 <1kW>

Reflector dia.	φ340mm	
Lamp	G110 E39/45 1000W	
Voltage	AC100V/AC220V	
Max. luminous intensity	100V	1,400,000cd
	220V	1,000,000cd
Range of distance	Approx. 1000m (AC220V lamp)	
Beam spread	Approx. 6°	
operation voltage	AC100 1φ 60Hz	
Elevation angle	Up 45° Down 20°	
Turning angle	Right & left each 170°	
Elevation speed	Approx. 3°/sec.	
Turning speed	Approx. 11°/sec.	
Protection degree	IP45	
Weight	104kg	
Code no.	1022L	



Dimension and specification are remote control type

# INCANDESCENT SEARCHLIGHT

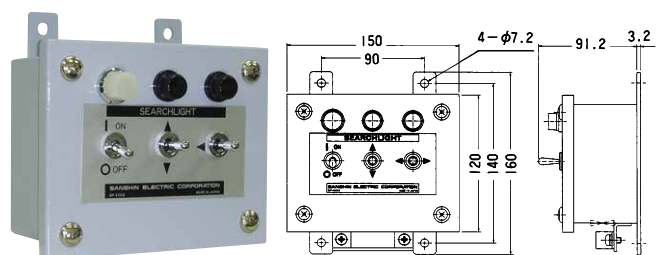
## Remote control panel for search light

■ Available Joy-stick type, sub-remote control type and customizing type on request.

### RCB-S11

<b>Code number</b>
12S11

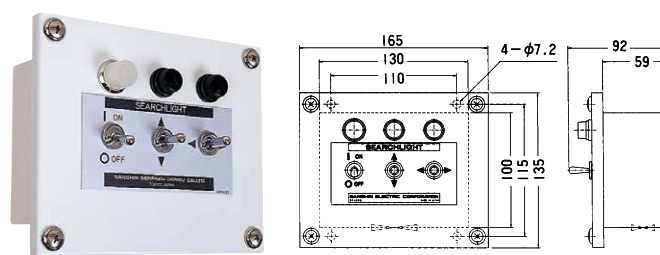
- Surface mounted
- Without lamp switch



### RCB-F11

<b>Code number</b>
12F11(100V)

- Flush mounted
- Without lamp switch

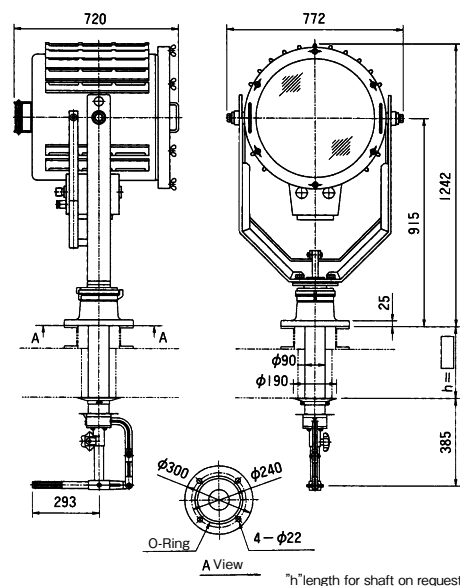


## Cabin control type

■ This cabin controlled searchlight uses an incandescent lamp as the light source, and allows for elevation and turning to be performed with hand held.

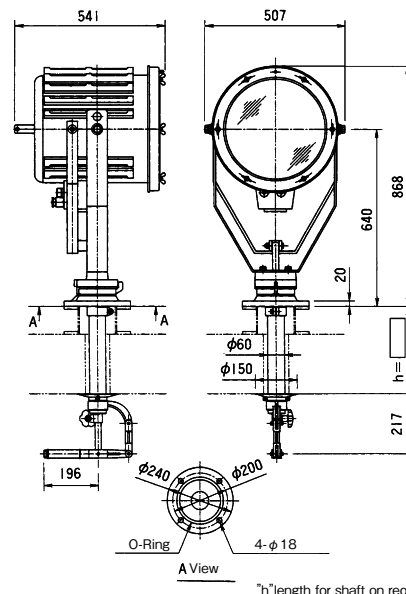
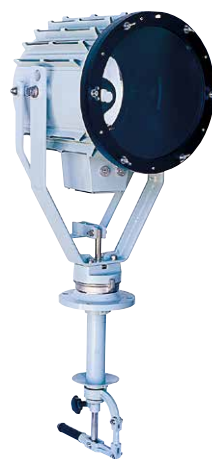
### C-40L <2kW>

<b>Reflector dia.</b>	φ430mm	
<b>Lamp</b>	G150 G19/54x60 2000W	
<b>Voltage</b>	AC100V/AC220V	
<b>Max. luminous intensity</b>	100V	3,000,000cd
	220V	2,500,000cd
<b>Range of distance</b>	Approx. 1500m (AC220V lamp)	
<b>Beam spread</b>	Approx. 6°	
<b>Elevation angle</b>	Up 18.5° Down 33°	
<b>Turning angle</b>	Right & left each 190°	
<b>Protection degree</b>	IP45	
<b>Weight</b>	85kg	
<b>Code no.</b>	1035	



### C-30L <1kW>

<b>Reflector dia.</b>	φ340mm	
<b>Lamp</b>	G110 E39/45 1000W	
<b>Voltage</b>	AC100V/AC220V	
<b>Max. luminous intensity</b>	100V	1,400,000cd
	220V	1,000,000cd
<b>Range of distance</b>	Approx. 1000m (AC220V lamp)	
<b>Beam spread</b>	Approx. 6°	
<b>Elevation angle</b>	Up 45° Down 20°	
<b>Turning angle</b>	Right & left each 170°	
<b>Elevation speed</b>	Approx. 3°/sec	
<b>Turning speed</b>	Approx. 11°/sec	
<b>Protection degree</b>	IP45	
<b>Weight</b>	104kg	
<b>Code no.</b>	1033	



Dimension and specification are remote control type

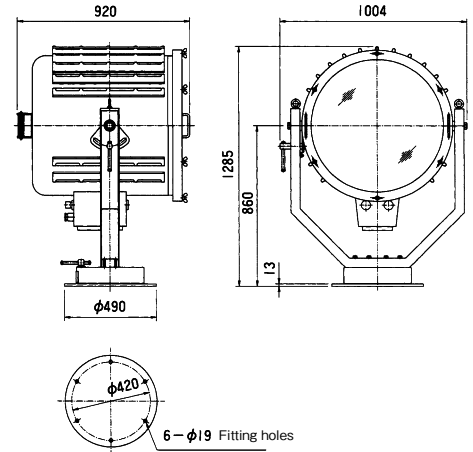
# INCANDESCENT SEARCHLIGHT

## Manual control type

- This cabin controlled searchlight uses an incandescent lamp as the light source, and allows for elevation, turning and focusing to be performed with manual control.

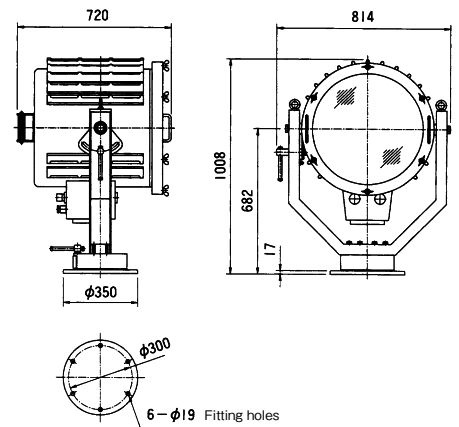
### D-60 <3kW>

Reflector dia.	φ640mm	
Lamp	G200 G19/54×60 3000W	
Voltage	AC100V/AC220V	
Max. luminous intensity	100V	7,000,000cd
	220V	6,000,000cd
Range of distance	Approx. 2400m(AC220V lamp)	
Beam spread	Approx. 6°	
Elevation angle	Up 45° Down 45°	
Turning angle	Right & left each 180°	
Protection degree	IP45	
Weight	135kg	
Code no.	1014	



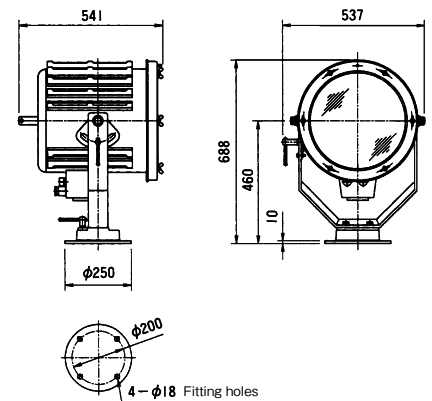
### D-40 <2kW>

Reflector dia.	φ430mm	
Lamp	G150 G19/54×60 2000W	
Voltage	AC100V/AC220V	
Max. luminous intensity	100V	3,000,000cd
	220V	2,500,000cd
Range of distance	Approx. 1500m (AC220V lamp)	
Beam spread	Approx. 6°	
Elevation angle	Up 45° Down 45°	
Turning angle	Right & left each 180°	
Protection degree	IP45	
Weight	84kg	
Code no.	1013	



### D-30 <1kW>

Reflector dia.	φ340mm	
Lamp	G110 E39/45 1000W	
Voltage	AC100V/AC220V	
Max. luminous intensity	100V	1,400,000cd
	220V	1,000,000cd
Range of distance	Approx. 1000m (AC220V lamp)	
Beam spread	Approx. 6°	
Elevation angle	Up 45° Down 45°	
Turning angle	Right & left each 190°	
Protection degree	IP45	
Weight	37kg	
Code no.	1012	



Dimension and specification are remote control type

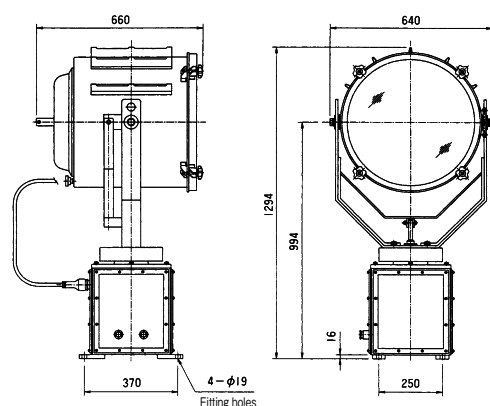
# INCANDESCENT SEARCHLIGHT

## 40SU series <2kW>

- Reflector dia. 430mm
- Lamp : Incandescent sputter lamp
- "Compact size", "Light weight" easy to operate.
- Available halogen lamp type on request
- Color : Mumsell N-9.5 (white)

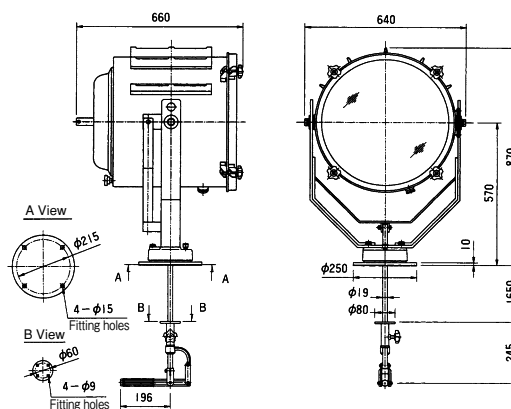
### Remote control types AET-40SU

Reflector dia.	φ430mm	
Lamp	G150 G19/54x60 2000W	
Voltage	AC100V/AC220V	
Max. luminous intensity	100V	3,000,000cd
	220V	2,500,000cd
Range of distance	Approx. 1500m (AC220V lamp)	
Beam spread	Approx. 6°	
operation voltage	AC100 1φ 60Hz	
Elevation angle	Up 35° Down 25°	
Turning angle	Right & left each 170°	
Elevation speed	Approx. 2.7°/sec.	
Turning speed	Approx. 11°/sec.	
Protection degree	IP55	
Weight	96kg	
Code no.	1023AETLS	



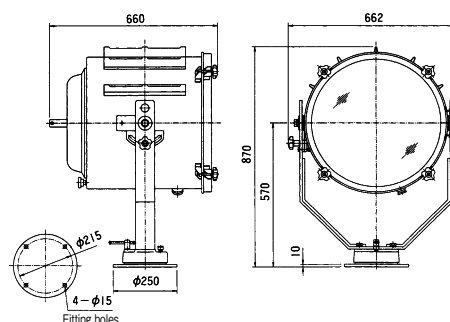
### Cabin control type ACT-40SU

Reflector dia.	φ430mm	
Lamp	G150 G19/54x60 2000W	
Voltage	AC100V/AC220V	
Max. luminous intensity	100V	3,000,000cd
	220V	2,500,000cd
Range of distance	Approx. 1500m (AC220V lamp)	
Beam spread	Approx. 6°	
Elevation angle	Up 30° Down 20°	
Turning angle	Right & left each 180°	
Protection degree	IP55	
Weight	46kg	
Code no.	1035-3	



### Manual control type ADT-40SU

Reflector dia.	φ430mm	
Lamp	G150 G19/54x60 2000W	
Voltage	AC100V/AC220V	
Max. luminous intensity	100V	3,000,000cd
	220V	2,500,000cd
Range of distance	Approx. 1500m (AC220V lamp)	
Beam spread	Approx. 6°	
Elevation angle	Up 45° Down 45°	
Turning angle	Right & left each 180°	
Protection degree	IP55	
Weight	38kg	
Code no.	1013-3	



Dimension and specification are remote control type

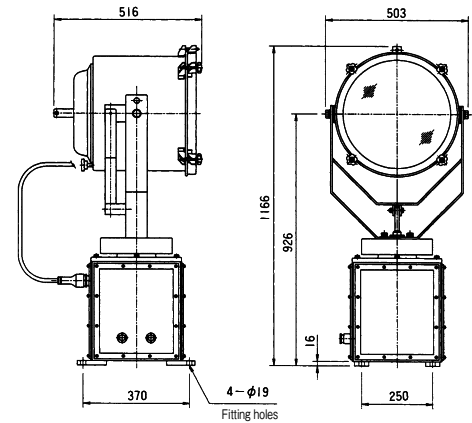
# INCANDESCENT SEARCHLIGHT

## 30SU Series <1kW>

- Reflector dia. 340mm
- Lamp : T type bulb
- "Compact size", "Light weight" easy to operate.
- Available halogen lamp or high efficiency lamp type on request
- Available 500W type on request
- Color : White (Munsell N-9.5)

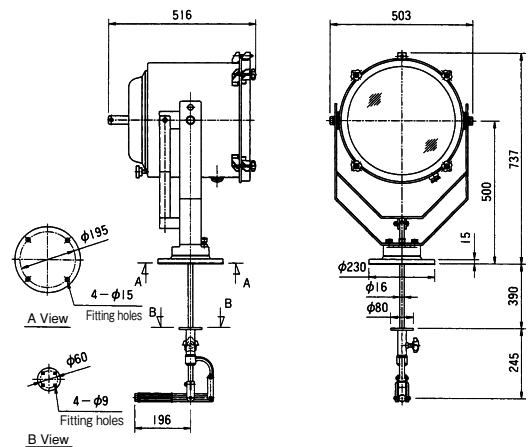
### Remote control type BET-30SU

Reflector dia.	φ340mm	
Lamp	T64 E39/45 1000W	
Voltage	AC100V/AC220V	
Max. luminous intensity	100V	500,000cd
	220V	500,000cd
Range of distance	Approx. 700m	
Beam spread	Approx. 8°	
operation voltage	AC100 1φ 60Hz	
Elevation angle	Up 35° Down 25°	
Turning angle	Right & left each 170°	
Elevation speed	Approx. 3°/sec.	
Turning speed	Approx. 11°/sec.	
Protection degree	IP56	
Weight	85kg	
Code no.	1021BET30L	



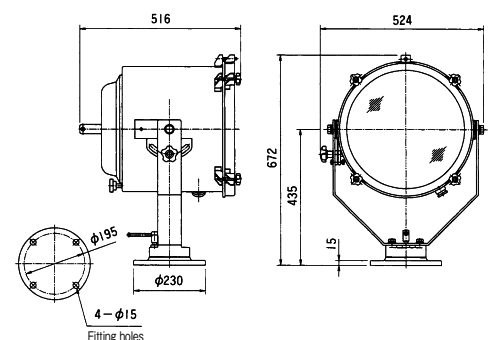
### Cabin control type BCT-30SU

Reflector dia.	φ340mm	
Lamp	T64 E39/45 1000W	
Voltage	AC100V/AC220V	
Max. luminous intensity	100V	500,000cd
	220V	500,000cd
Range of distance	Approx. 700m	
Beam spread	Approx. 8°	
Elevation angle	Up 30° Down 30°	
Turning angle	Right & left each 180°	
Protection degree	IP56	
Weight	29kg	
Code no.	1033-4	



### Manual control type BDT-30SU

Reflector dia.	φ340mm	
Lamp	T64 E39/45 1000W	
Voltage	AC100V/AC220V	
Max. luminous intensity	100V	500,000cd
	220V	500,000cd
Range of distance	Approx. 700m	
Beam spread	Approx. 8°	
Elevation angle	Up 45° Down 30°	
Turning angle	Right & left each 180°	
Protection degree	IP56	
Weight	23kg	
Code no.	1012-4	



Dimension and specification are remote control type