

# METAL-HALIDE LAMP TYPE SEARCHLIGHT

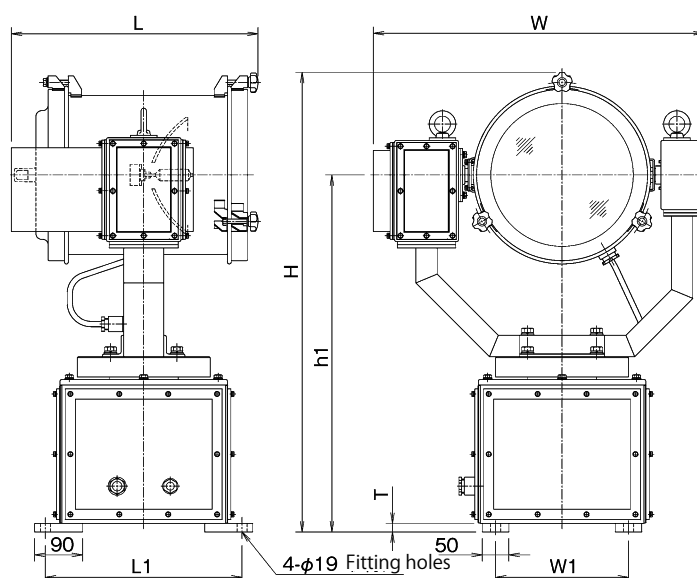
- Superior relighting capabilities with the Hot Restart model.
- A white light close to that of sunshine. (Color temperature 6000K)
- Compared to an incandescent source of light, the intensity of the luminous pillar is higher and the distance of irradiation is longer. Compared to a xenon lamp model, the
- angle of the luminous pillar (extent of the beam) is wider.
- The model made from a structure to prevent diffusion and is completely waterproof.
- Manufactured using stainless steel as the material for the main parts means that it will last and can be used for a long time. The structure can sufficiently withstand intense vibrations and wind pressures of a wind velocity of 60m.

## Option specification

- Available 2-station control panel by a sub remote control panel
- Variable control with elevation and turning.
- Turning angle position indicator



EM2400F



Model	Dimension (mm)								Code no.
	L	L1	W	W1	H	h1	T		
EM2400F	464	370	622	250	863	670	16	1026EM2400F	
EM3575F	516	370	656	250	957	720	16	1026EM3575F	
EM-4012VLF	654	370	958	250	1255	929	16	1026EM4012VLF	
EM-5025VLF	630	510	888	390	1365	1014	19	1026EM5025	

Model	EM2400F	EM3575F	EM-4012VLF	EM-5025VLF
Reflector dia.	φ220mm	φ340mm	φ430mm	φ500mm
Operation method	Remote control			
Lamp capacity	400W	575W	1200W	2500W
Max. luminous intensity	6×10 <sup>6</sup> cd	8×10 <sup>6</sup> cd	24×10 <sup>6</sup> cd	32×10 <sup>6</sup> cd
Beam distance *1	Approx. 2400m	Approx. 2800m	Approx. 4800m	Approx. 5600m
Beam spread	Approx. 6°	Approx. 6°	Approx. 3°15分	Approx. 4°
Elevation angle	Up	45°		60°
	Down	45°		15°
Elevation speed	Approx. 3°/sec.			
Turning angle	Left and Right Each 170°			
Turning speed	Approx. 11.5°/sec.	Approx. 11.5°/sec.	Approx. 11.5°/sec.	Approx. 12°/sec.
Weight	85kg	90kg	120kg	160kg
Protection degree	IP45			
Applicable ballast model	Built-in ballast	Built-in ballast	BME-1200	BME-2500
Control panel	RCB-S/F93			

\*1 Dimension and specification are remote control type

\*2 Available cabin control type and manual control type on request.