

XENON LAMP TYPE REMOTE CONTROL SEARCHLIGHT

Type of lamps for this searchlight is the "Xenon", and operated for "Elevation", "Turning" and "Focus adjustment" by the electric remote control panel.



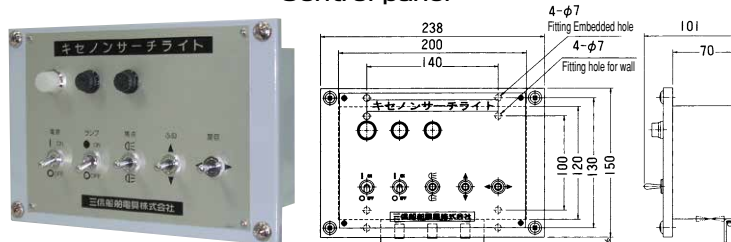
Searchlight
EX-4020HLF

- Achieved to be longer the lamp lifetime, stronger for the voltage and frequency fluctuation by particular electric design.
- The xenon lamp is white light which is near to sunlight. complete waterproofing
- The materials for stainless steel, long-lasting
- The light pillar intensity of light is extremely high, and irradiation distance is long
- Excellent resistance to heavy vibration, high temperature and strong wind.

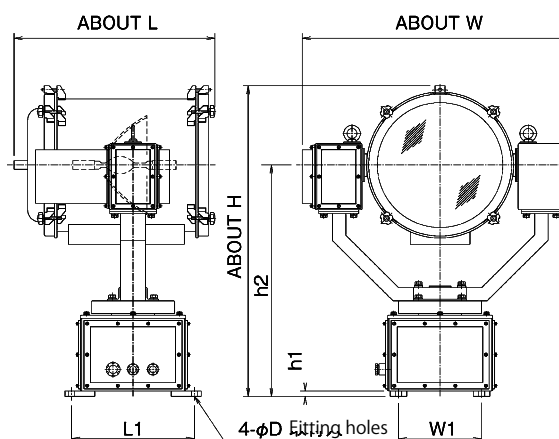
Special order specifications

- Special order control panels such as joy-stick or two places of operation
- Variable control with elevation and turning.
- Turning position control system
- Turning angle position indicator

Control panel



Model	Dimension (mm)							Code no.
	L	L1	W	W1	H	h1	h2	
EX-3005HLFK	604	370	798	250	940	16	700	1081HLFK
EX-3010HLF	604	370	798	250	940	16	700	1082HLF
EX-4020HLF	660	370	919	250	1067	16	765	1086LF
EX-5030HLF-A	780	510	1025	390	1306	19	955	1088HLF3
EX-5045HLF-A	780	510	1025	390	1306	19	955	1089LF4.5-1
EX-5060HLF-A	889	510	1025	390	1306	19	955	1100-13HLFA



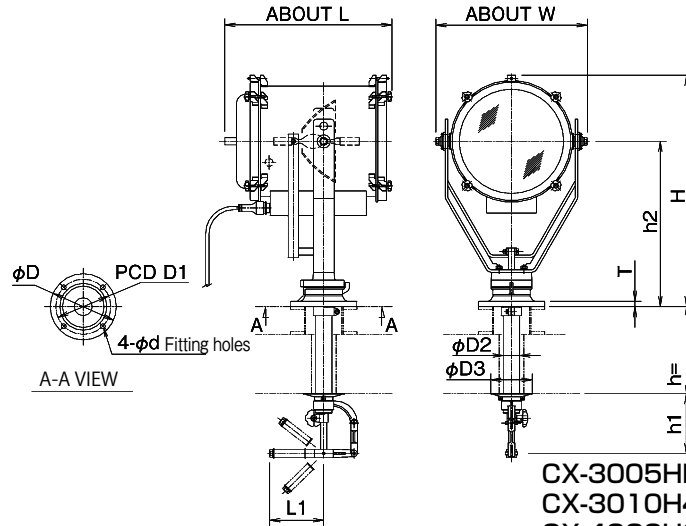
Model	EX-3005HLFK	EX-3010HLF	EX-4020HLF	EX-5030HLF-A	EX-5045HLF-A	EX-5060HLF-A
Reflector dia.	φ300mm	φ300mm	φ400mm	φ500mm	φ500mm	φ500mm
Operating mode	Electric remote controller					
Lamp type	UXL-500D-0	UXL-1000S KXL-1000SF	UXL-2000S KXL-2000E	KXL-3000E	KXL-4500E	KXL-6000E
Lamp capacity	500W	1000W	2000W	3000W	4500W	6000W
Max. luminous intensity	10×10 ⁶ cd	18×10 ⁶ cd	65×10 ⁶ cd	100×10 ⁶ cd	120×10 ⁶ cd	300×10 ⁶ cd
Range(1lx)	Approx. 3160m	Approx. 4240m	Approx. 8060m	Approx. 10000m	Approx. 11000m	Approx. 17300m
Beam spread	Approx. 2.5°	Approx. 2.5°	Approx. 1.5°	Approx. 2°	Approx. 2°	Approx. 1.5°
Elevation angle	Up	30°				
	Down	20°				
Elevation speed	Approx. 3°/min					
Turning angle	Left and Right each 170°					
Turning speed	Approx. 11.5°/sec.	Approx. 11.5°/sec.	Approx. 11.5°/sec.	Approx. 12°/sec.	Approx. 12°/sec.	Approx. 12°/sec.
Weight	103kg	103kg	123kg	230kg	230kg	250kg
Protection degree	IP45					
Suitable Ballast	BXE-500S	KSX-450ET-1	KCX-803E-1	KCX-1003E-1	KCX-1203E-1	KCX-1603E-1
Standard remote control panel	RCB-S/F93					

Atmospheric Transmission : 100%

XENON LAMP TYPE CABIN CONTROL SEARCHLIGHT



Search light
CX-3010H4L

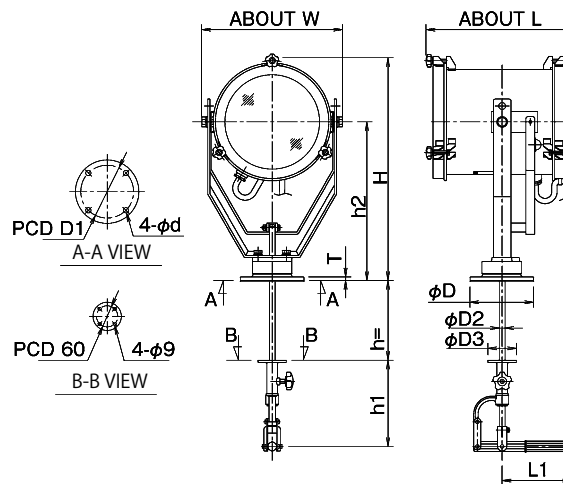


CX-3005HLK
CX-3010H4L
CX-4020H3L

"h" length for shaft on request.



Search light
CX-2003H



CX-2003H

"h" length for shaft on request.

Model	Dimension (mm)												Code no.
	W	L	L1	H	h1	h2	D	D1	D2	D3	d	T	
CX-2003H	398	418	196	632	245	450	180	150	16	80	15	10	1108-1(100V)/1108-2(220V)
CX-3005H4LK	549	605	196	840	217	600	240	200	60	150	18	20	1101-4
CX-3010H4L	549	605	196	840	217	600	240	200	60	150	18	20	1102-8
CX-4020H3L	728	660	293	1097	385	795	300	240	90	190	22	25	1105-3

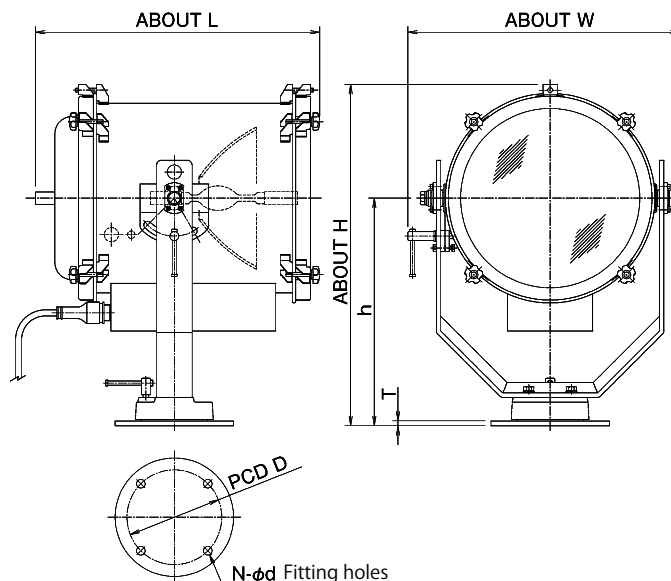


Junction box
J-51

Model	CX-2003H	CX-3005H4LK	CX-3010H4L	CX-4020H3L
Reflector dia.	φ220mm	φ300mm	φ300mm	φ400mm
Lamp model	KXL-300F	UXL-500D-0	UXL-1000S KXL-1000SF	UXL-2000S KXL-2000E
Lamp capacity	300W	500W	1000W	2000W
Max. luminous intensity	9.2×10 ⁶ cd	10×10 ⁶ cd	18×10 ⁶ cd	65×10 ⁶ cd
Beam distance *1	Approx. 3000m	Approx. 3160m	Approx. 4240m	Approx. 8060m
Beam spread	Approx. 1.5°	Approx. 2.5°	Approx. 2.5°	Approx. 1.5°
Elevation angle	Up	40°	30°	30°
	Down		30°	20°
Turning angle	Left and Right each 190°			Left and Right each 180°
Weight	25kg	69kg	69kg	100kg
Protection degree	IP45	IP45	IP45	IP45
Applicable ballast model	BXE-301/2	BXE-500S	KSX-450ET-1	KCX-803E-1
Control panel	-	J-51	J-51	J-101

*1 Atmospheric Transmission : 100%

XENON LAMP TYPE DIRECT CONTROL SEARCHLIGHT



Model	Dimension (mm)							Code no.
	L	W	H	h	T	D	N-φd	
DX-2003H	453	414	547	365	10	150	4-15	1060
DX-3005H4K	600	575	720	480	10	200	4-18	1061-1
DX-3010H4	600	575	720	480	10	200	4-18	1062-1.1
DX-4020H3	660	775	924	622	17	300	6-19	1066-H3
DX-5030H3	780	927	995	665	10	300	6-19	1068-1
DX-5045H3	780	927	995	665	10	300	6-19	1069-1
DX-5060H3	892	927	995	665	10	300	6-19	1071-3

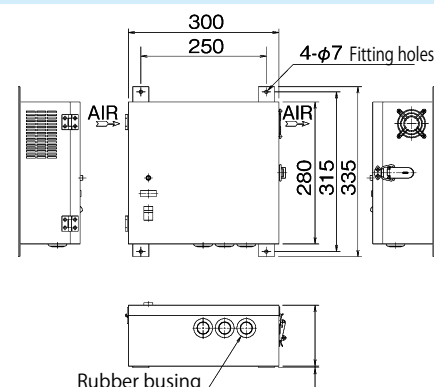
Model	DX-2003H	DX-3005H4K	DX-3010H4	DX-4020H3	DX-5030H3	DX-5045H3	DX-5060H3
Reflector dia.	φ220mm	φ300mm	φ300mm	φ400mm	φ500mm	φ500mm	φ500mm
Lamp model	KXL-300F	UXL-500D-0	UXL-1000S KXL-1000SF	UXL-2000S KXL-2000E	KXL-3000E	KXL-4500E	KXL-6000E
Lamp capacity	300W	500W	1000W	2000W	3000W	4500W	6000W
Max. luminous intensity	9.2×10 ⁶ cd	10×10 ⁶ cd	18×10 ⁶ cd	65×10 ⁶ cd	100×10 ⁶ cd	120×10 ⁶ cd	300×10 ⁶ cd
Beam distance *1	Approx. 3000m	Approx. 3160m	Approx. 4240m	Approx. 8060m	Approx. 10000m	Approx. 11000m	Approx. 17300m
Beam spread	Approx. 1.5°	Approx. 2.5°	Approx. 2.5°	Approx. 1.5°	Approx. 2°	Approx. 2°	Approx. 1.5°
Elevation angle	Up	30°					
	Down	45°					
Turning angle	Left and Right each 190°			Left and Right each 180°			
Weight	20kg	55kg	55kg	106kg	120kg	120kg	128kg
Protection degree	IP45						
Applicable ballast model	BXE-301/2	BXE-500S	KSX-450ET-1	KCX-803E-1	KCX-1003E-1	KCX-1203E-1	KCX-1603E-1
Joint Box	---	J-51	J-51	J-101	---	---	---

*1 Atmospheric Transmission : 100%

XENON LAMP BALLAST

BXE-301/2(300W)

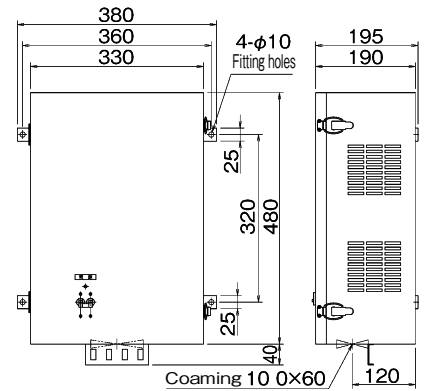
Model	BXE-301	BXE-302
Input voltage	AC100V ±10%	AC220V ±10%
Phase	1	
Frequency	50/60Hz	
Input power	640VA	
Input current	Approx. 6.4A	Approx. 2.9A
Cooling system	Air - cooling	
Protection degree	IP11	
Weight	8.2kg	
Code no.	1110-5	1110-6



XENON LAMP BALLAST

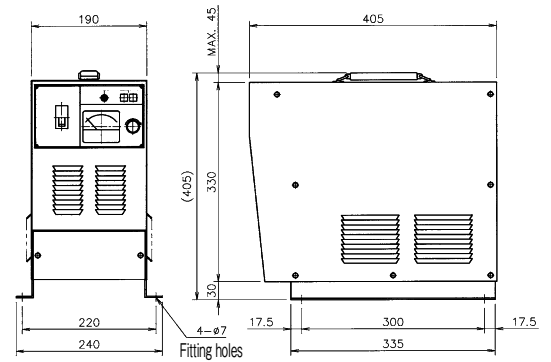
BXE-500S <500W>

Model	BXE-500S10	BXE-500S20
Input voltage	AC100V (90~132V)	AC220V (180~264V)
Phase	1	
Frequency	50/60Hz	
Input power	950VA	
Input current	9.5A	4.3A
Cooling system	Air - cooling	
Protection degree	IP11	
Weight	16kg	18kg
Code no.	1082D10	1082D20



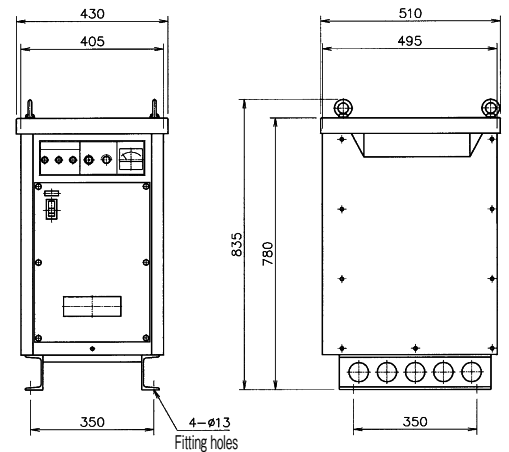
KSX-450ET-1 <1kW>

Model	AC220V(200~240V)	
Input voltage	1	3
Phase	50/60Hz	
Frequency	2.2kVA	1.83kVA
Input power	10A	4.8A
Input current	70%	80%
Cooling system	Air - cooling	
Protection degree	IP11	
Weight	20kg	
Code no.	C7300319	



KCX-803E-1 <2kW> KCX-1003E-1 <3kW> KCX-1203E-1 <4.5kW>

Model	KCX-803E-1	KCX-1003E-1	KCX-1203E-1
Input voltage	AC220V (200~240V)		
Phase	3		
Frequency	50/60Hz		
Input power	3.6kVA	5.7kVA	6.7kVA
Input current	9.5A	15A	17.5A
Cooling system	Air - cooling		
Protection degree	IP11		
Weight	90Kg	98Kg	98Kg
Code no.	C7300282	C7300293	C7300283



KCX-1603E-1 <6kW>

Input voltage	AC220V (200~240V)	
Phase	3	
Frequency	50/60Hz	
Input power	12kVA	
Input current	31.5A	
Cooling system	Air - cooling	
Protection degree	IP11	
Weight	140kg	
Code no.	C7300284	

